

Technical data :

| | |
|--|-------------|
| Rated operating distance (Sn) | 2 m (*) |
| (*) With transmitter E1202L02Q26022EVY | |
| Output type | PNP |
| Function | NO/NC |
| Operating voltage | 10...30V DC |
| Operating current | 200 mA |
| No-load consumption | < 30 mA |
| Voltage drop | < 2 V |
| Residual current | < 70 µA |
| Ambient temperature range | -25...55 °C |
| Switching frequency | 250 Hz |
| Power-on delay | < 300 ms |
| Detection range | 0...2 m (*) |

Optical characteristics :

| | |
|------------------------|--------------|
| Light type | Red (625 nm) |
| Ambient light immunity | 15 klx |

Protection :

| | |
|------------------------------|------------------------|
| Reverse polarity protection | |
| Short-circuit protection | |
| Overload protection | |
| IEC 61000-4-2 (ESD) | 4 kV contact / 8kV air |
| IEC 61000-4-4 (Burst) | 2kV / 5kHz |
| IEC 61000-4-6 (RF conducted) | 3V 150kHz...80MHz |
| Protection degree | IP67 |

Materials :

| | |
|--------------|------|
| Housing | PA |
| Sensing face | PMMA |

Status indication :

| | |
|-----------------------------------|-----------------------|
| Power | Green LED |
| Output | Yellow LED |
| Alarm signal (Limit of detection) | Yellow LED (blinking) |

Connection :

| | |
|------------------|--|
| Connector | M12 |
| Cable | PVC |
| Cable length | 0,2 m |
| Cable protection | Aramid fibre (kevlar) braided sleeving |

Accessories (included) :

- 1 Q26 zamak holder
- 1 zinc-plated steel screw CHC M4-30 mm
- 1 zinc-plated steel screw CHC M4-8 mm
- 1 zinc-plated steel screw CHC M4-6 mm

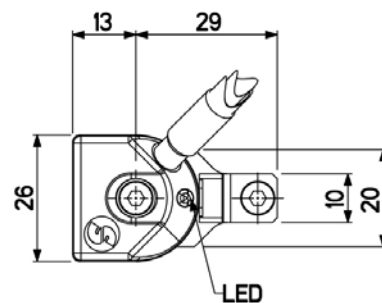
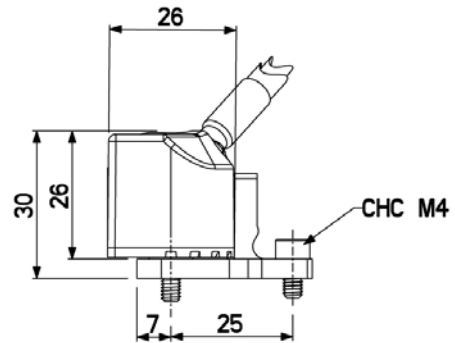
Accessories (not included) :

- Transmitter E1202L02Q26022EVY

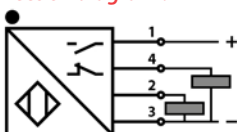
E1284L02Q26022RVY
 Through-beam series
 Q26



Dimensions :



Connection diagram :



Pin assignment :

