

**Technical data :**

Output type	PNP
Function	NO/NC
Operating voltage	10...30V DC
Operating current	200 mA
Non-Load consumption	< 30 mA
Voltage drop	< 2 V
Residual current	< 70 µA
Ambient temperature range	0...55 °C
Switching frequency	100 Hz
Reaction time	< 5 ms

**Optical characteristics :**

Light type	Infrared (850 nm)
------------	-------------------

**Protection :**

Reverse polarity protection	
Short-circuit protection	
Overload protection	
IEC 61000-4-2 (ESD)	4kV Contact / 8kV Air
IEC 61000-4-4 (Burst)	2kV / 5kHz
IEC 61000-4-6 (RF conducted)	3V 150kHz...80MHz
Oil and dust immunized	
Class II insulation	
Protection degree	IP67

**Materials :**

Housing	Carbon steel (1.2379)
Connector	Brass, nickel-plated
Sensing face	PMMA (Receiver) / Aluminium (Transmitter)

**Status indication :**

Detection	Yellow LED
-----------	------------

**Connection :**

Connector	M12
-----------	-----

**Remarks :**

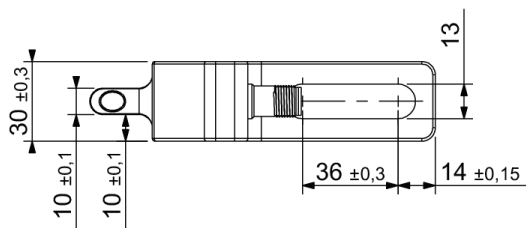
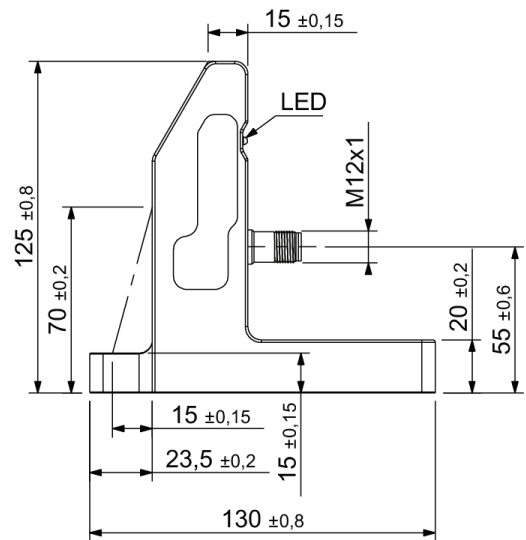
To obtain the detection curve, please contact us

## E1284L00Q12506ALR

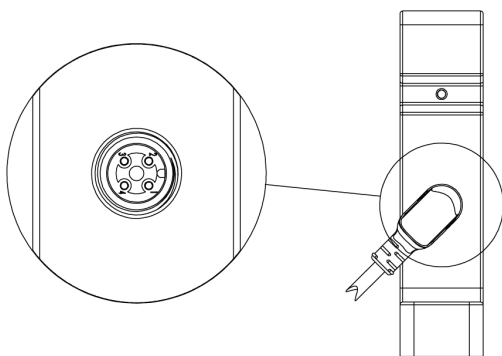
Q125



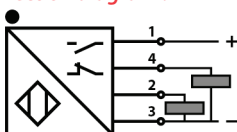
**Dimensions :**



**Connector orientation :**



**Connection diagram :**



**Pin assignment :**

