

Technical data :

Rated operating distance (Sn)	< 2,5 m
Output type	PNP
Function	NO/NC
Operating voltage	10...30V DC
Operating current	200 mA
No-load consumption	< 30 mA
Voltage drop	< 2 V
Residual current	< 70 µA
Ambient temperature range	-25...55 °C
Switching frequency	1 kHz
Power-on delay	< 300 ms
Detection range	50 mm ... 4,5 m according to the reflector used

Optical characteristics :

Light type	Red (625 nm)
Ambient light immunity	15 klx

Protection :

Reverse polarity protection	
Short-circuit protection	
Overload protection	
IEC 61000-4-2 (ESD)	4kV Contact / 8kV Air
IEC 61000-4-4 (Burst)	2kV / 5kHz
IEC 61000-4-6 (RF conducted)	3V 150kHz...80MHz
Protection degree	IP67

Materials :

Housing	PA
Sensing face	PMMA

Status indication :

Power	Green LED
Output	Yellow LED
Alarm signal (Limit of detection)	Yellow LED (blinking)

Connection :

Connector	M8
Cable	PVC
Cable length	0,2 m

Accessories (included) :

- 1 Q26 zamak holder
- 1 zinc-plated steel screw CHC M4-30 mm
- 1 zinc-plated steel screw CHC M4-8 mm
- 1 zinc-plated steel screw CHC M4-6 mm

Accessories (not included) :

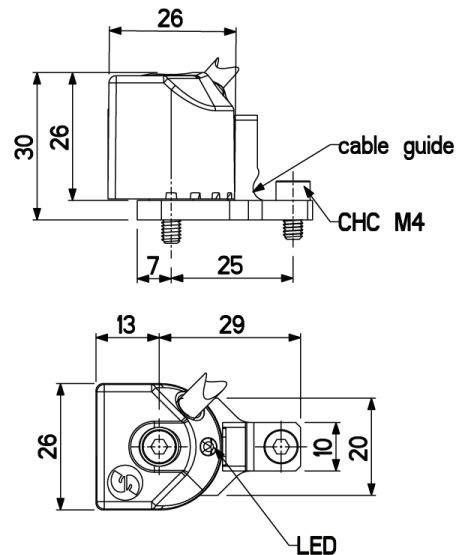
See reflector selection table

E1284K02Q2602KVV

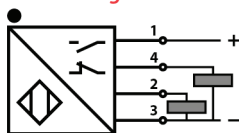
Reflector series
Q26



Dimensions :



Connection diagram :



Pin assignment :



Reflector selection table / distance :

Réflecteurs / Reflectors	Distance / Distance
K80X20	1300 mm
K50X60	3000 mm
K100X100	4500 mm
KC83	2500 mm
KT25	1000 mm