

Technical data :

Rated operating distance (Sn)	up to 5 m depending on reflector used
Output type	PNP
Function	NO/NC
Operating voltage	10...30V DC
Operating current	200 mA
No-load consumption	< 30 mA
Voltage drop	< 2 V
Residual current	< 70 µA
Ambient temperature range	-25...55 °C
Switching frequency	1 kHz
Power-on delay	< 300 ms
Detection range	0,05 m ...5 m according to the reflector used

Optical characteristics :

Light type	Red (660 nm)
Ambient light immunity	100 klx

Protection :

Reverse polarity protection	
Short-circuit protection	
Overload protection	
IEC 61000-4-2 (ESD)	4kV Contact / 8kV Air
IEC 61000-4-4 (Burst)	2kV / 5kHz
IEC 61000-4-6 (RF conducted)	3V 150kHz...80MHz
Protection degree	IP67

Materials :

Housing	Brass, nickel-plated
Sensing face	PMMA

Status indication :

Output	Yellow LED
Alarm signal (Limit of detection)	Red LED

Connection :

Connector	M12
-----------	-----

Accessories (included) :

2 nickel-plated brass fixing nuts

Accessories (not included) :

See reflector selection table

Remarks :

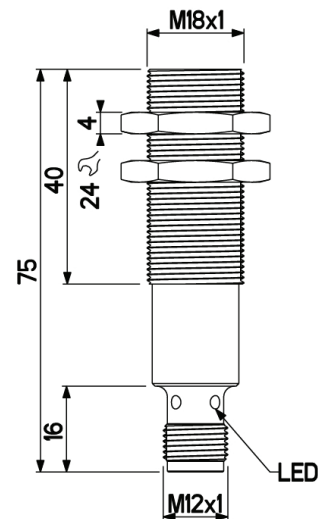
Reflective objects detected (use polarising filters)

E1284E00M18051KV

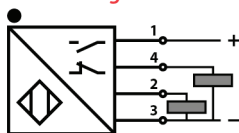
Reflector series
M18



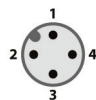
Dimensions :



Connection diagram :



Pin assignment :



Reflector selection table :

Réflecteurs / Reflectors	Distance / Distance
K80X20	50...1300 mm
K50X50	50...3000 mm
K100X100	500...5000 mm
KC83	300...4000 mm
KT25	300...1000 mm

Lateral approach diagram :

