

Technical data :

Output type	PNP
Function	NO
Operating voltage	10...30V DC
Operating current	100 mA
No-load consumption	< 25 mA
Voltage drop	< 2V
Residual current	< 70 µA
Ambient temperature range	-5...80 °C
Switching frequency	400 Hz
Power-on delay	< 300 ms
Detection range	0,5...10 mm (*)

(*) Detection range defined for a black carbon plate

Optical characteristics :

Light type	Infrared (940 nm)
Ambient light immunity	5 klx

Protection :

Reverse polarity protection	
Short-circuit protection	
Overload protection	
IEC 61000-4-2 (ESD)	4 kV contact / 8kV air
IEC 61000-4-4 (Burst)	2kV / 5kHz
IEC 61000-4-6 (RF conducted)	3V 150kHz...80MHz
Protection degree	IP67

Materials :

Housing	Brass, nickel-plated
Sensing face	PMMA

Status indication :

Output	Yellow LED
Diagnosis (dirt)	Red LED

Connection :

Connector	M12
-----------	-----

Accessories (included) :

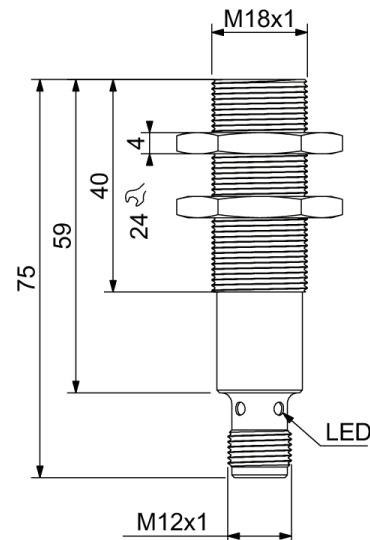
2 nickel-plated brass fixing nuts

E126R05M181C01D

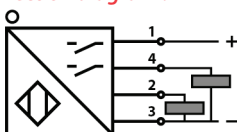
M18



Dimensions :



Connection diagram :



Pin assignment :

