

### Technical data :

Rated operating distance (Sn)	600 mm
Output type	PNP
Function	NO
Operating voltage	10...30V DC
Operating current	200 mA
No-load consumption	< 30 mA
Voltage drop	< 2V
Residual current	< 70 µA
Ambient temperature range	0...45 °C
Switching frequency	1 kHz
Power-on delay	< 300 ms
Detection range	0...600 mm
Adjustment method	By potentiometer

### Optical characteristics :

Light type	LASER (Class 2) Red (670 nm)
Minimum target size	1,5 mm (*) for Sn < 600 mm
Ambient light immunity	5 klx

### Protection :

Reverse polarity protection	
Short-circuit protection	
Overload protection	
IEC 61000-4-2 (ESD)	4 kV contact / 8kV air
IEC 61000-4-4 (Burst)	2kV / 5kHz
IEC 61000-4-6 (RF conducted)	3V 150kHz...80MHz
Protection degree	IP67

### Materials :

Housing	Brass, nickel-plated
Sensing face	PMMA

### Status indication :

Output	Yellow LED
Signal d'alarme (limite de détection)	Red LED

### Connection :

Connector	M12
-----------	-----

### Accessories (included) :

2 nickel-plated brass fixing nuts

### (\*) Test conditions :

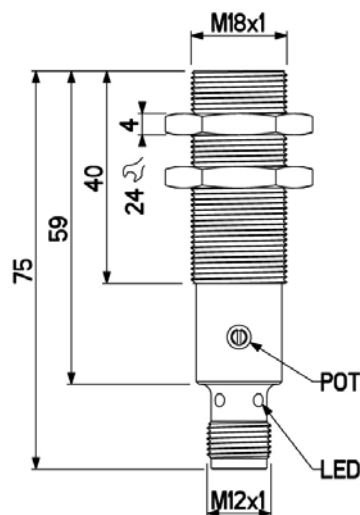
Detection: 0...600 mm white, 90% remission  
Stainless steel reflective target

## E126L05M1860D1D

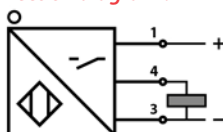
M18



### Dimensions :



### Connection diagram :



### Pin assignment :

