

Technical data :

| | |
|---------------------------|-------------|
| Output type | PNP |
| Function | NO |
| Operating voltage | 10...30V DC |
| Operating current | 200 mA |
| No-load consumption | < 30 mA |
| Voltage drop | < 2 V |
| Residual current | < 70 µA |
| Ambient temperature range | 0...60 °C |
| Switching frequency | 100 Hz |
| Reaction time | < 5 ms |

Optical characteristics :

| | |
|------------|-------------------|
| Light type | Infrared (940 nm) |
|------------|-------------------|

Protection :

| | |
|------------------------------|------------------------|
| Reverse polarity protection | |
| Short-circuit protection | |
| Overload protection | |
| IEC 61000-4-2 (ESD) | 4 kV contact / 8kV air |
| IEC 61000-4-4 (Burst) | 2kV / 5kHz |
| IEC 61000-4-6 (RF conducted) | 3V 150kHz...80MHz |
| Class II insulation | |
| Protection degree | IP67 |

Materials :

| | |
|--------------|----------------------|
| Housing | Anodized aluminium |
| Connector | Brass, nickel-plated |
| Sensing face | PMMA |

Status indication :

| | |
|-----------------------------------|------------|
| Power | Green LED |
| Output | Yellow LED |
| Alarm signal (Limit of detection) | Red LED |

Connection :

| | |
|-----------|-----|
| Connector | M12 |
|-----------|-----|

Remarks :

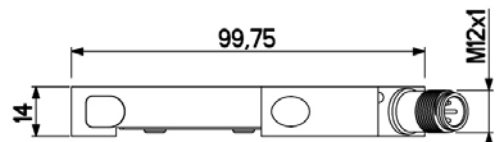
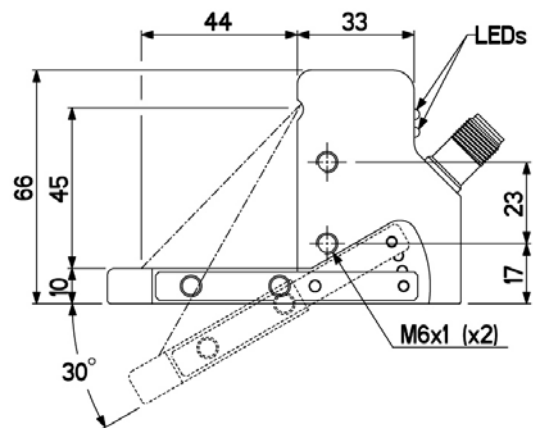
To obtain the detection curve, please contact us

E1263F2Q665641

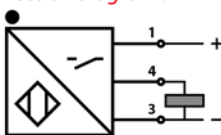
LS06



Dimensions :



Connection diagram :



Pin assignment :

