

**Technical data :**

Rated operating distance (Sn)	700 mm
Output type	PNP
Function	NO
Operating voltage	10...30V DC
Operating current	200 mA
No-load consumption	< 30 mA
Voltage drop	< 2 V
Residual current	< 70 µA
Ambient temperature range	-25...55 °C
Switching frequency	250 Hz
Power-on delay	< 300 ms
Detection range	0...700 mm
Adjustment method	By potentiometer
Adjustment from 100 to 700 mm	

**Optical characteristics :**

Light type	Infrared (850 nm)
Light spot typical diameter	75 mm (3,1°) @ 500 mm
Ambient light immunity	100 klx

**Protection :**

Reverse polarity protection	
Short-circuit protection	
Overload protection	
IEC 61000-4-2 (ESD)	4 kV contact / 8kV air
IEC 61000-4-4 (Burst)	2kV / 5kHz
IEC 61000-4-6 (RF conducted)	3V 150kHz...80MHz
Protection degree	IP67

**Materials :**

Housing	Brass, nickel-plated
Sensing face	PMMA

**Status indication :**

Output	Yellow LED
Alarm signal (Limit of detection)	Red LED

**Connection :**

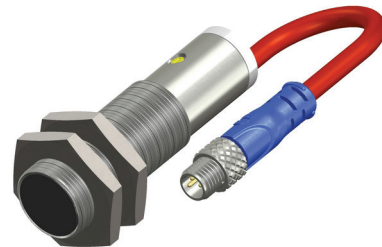
Connector	M8
Cable	PUR, halogen free
Cable length	0,2 m
Cable protection	Silicone-coated fiberglass braided sleeving

**Accessories (included) :**

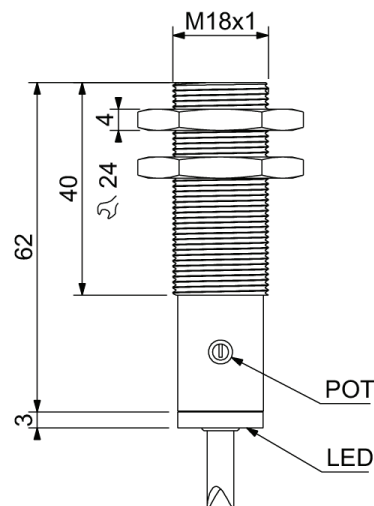
2 nickel-plated brass fixing nuts

## E1263C02M18071DRS

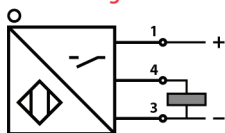
M18



**Dimensions :**



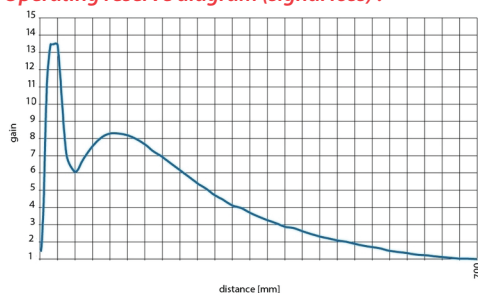
**Connection diagram :**



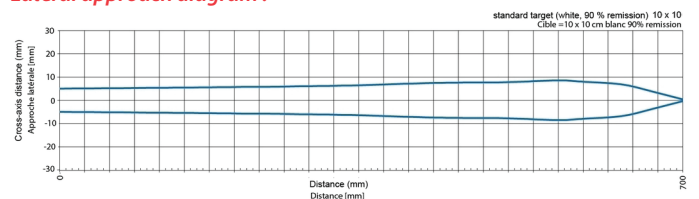
**Pin assignment :**



**Operating reserve diagram (signal loss) :**



**Lateral approach diagram :**



For uses in particularly harsh environments: Please enquire

We reserve the right to modify all or part of characteristics of our products without warning.

SENSTRONIC S.A.S. • 22 rue des Rustauds, 67700 MONSWILLER • Tel. +33 (0)3 88 71 26 33 • e-mail : contact@senstronic.com

Printed on:

27 juil. 2020