

**Technical data :**

Rated operating distance (Sn)	56 mm
Output type	PNP
Function	NO
Operating voltage	10...30V DC
Operating current	200 mA
No-load consumption	< 30 mA
Voltage drop	< 2V
Residual current	< 70 µA
Ambient temperature range	0...60 °C
Switching frequency	100 Hz
Reaction time	< 5 ms

**Optical characteristics :**

Light type	Infrared (940 nm)
------------	-------------------

**Protection :**

Reverse polarity protection	
Short-circuit protection	
Overload protection	
IEC 61000-4-2 (ESD)	4 kV contact / 8kV air
IEC 61000-4-4 (Burst)	2kV / 5kHz
IEC 61000-4-6 (RF conducted)	3V 150kHz...80MHz
Class II insulation	
Protection degree	IP67

**Materials :**

Housing	Anodized aluminium
Connector	Brass, nickel-plated
Sensing face	PMMA

**Status indication :**

Power	Green LED
Output	Yellow LED
Alarm signal (Limit of detection)	Red LED

**Connection :**

Connector	M12
-----------	-----

**Remarks :**

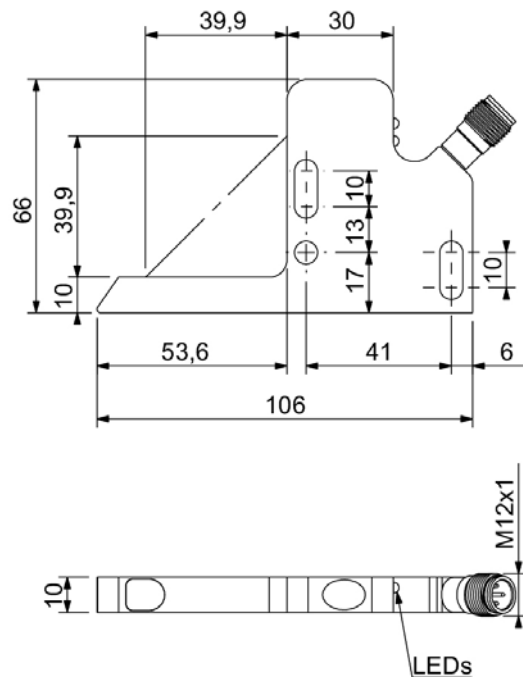
To obtain the detection curve, please contact us

**E126305Q665641**

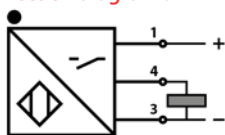
Q66



**Dimensions :**



**Connection diagram :**



**Pin assignment :**

