

Technical data :

Output type	PNP
Function	NO
Operating voltage	10...30V DC
Operating current	200 mA
No-load consumption	< 12 mA
Voltage drop	< 2 V
Residual current	< 70 µA
Ambient temperature range	-25...70 °C
Repeatability	< 0,1 mm
Switching frequency	20 Hz

Protection :

Reverse polarity protection	
Short-circuit protection	
Overload protection	
AC magnetic field immunity (AC welding current)	
IEC 61000-4-2 (ESD)	4kV Contact / 8kV Air
IEC 61000-4-4 (Burst)	2kV / 5kHz
IEC 61000-4-6 (RF conducted)	3V 150kHz...80MHz
Protection degree	IP67

Materials :

Housing	PA
Index	Anodized aluminium
Sensing face	PA

Status indication :

Output	Yellow LED
--------	------------

Connection :

Connector	M12
Cable	PUR
Cable length	0,2 m
Cable protection	Aramid fibre (kevlar) braided sleeving

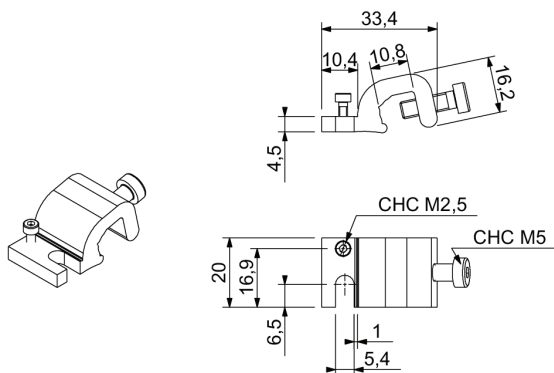
Accessories (included) :

Fixing index for tie rod cylinder (SDPQ05RTP)
 For cylindrical tie rod : Ø4...9 mm
 For hexagonal tie rod : 8 mm section
 Compatible tie rods as long as the space between the tie rod and the cylinder body used is sufficient

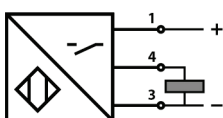
Remarks :

Self-extinguishing polyamide housing (UL94-V0)

Details view (index) :



Connection diagram :



Pin assignment :



C1263T2Q050311TK
 Welding environment
 Q05



Dimensions :

