

Technical data :

| | |
|---------------------------|-------------|
| Output type | PNP |
| Function | NO |
| Operating voltage | 10...30V DC |
| Operating current | 200 mA |
| No-load consumption | < 12 mA |
| Voltage drop | < 2 V |
| Residual current | < 70 µA |
| Ambient temperature range | -25...70 °C |
| Hysteresis | < 1 mm |
| Switching frequency | 40 Hz |
| Output turn-off delay | 20 ms |

Protection :

| | |
|------------------------------|------------------------|
| Reverse polarity protection | |
| Short-circuit protection | |
| Overload protection | |
| IEC 61000-4-2 (ESD) | 4 kV contact / 8kV air |
| IEC 61000-4-4 (Burst) | 2kV / 5kHz |
| IEC 61000-4-6 (RF conducted) | 3V 150kHz...80MHz |
| Protection degree | IP67 |

Materials :

| | |
|--------------|----|
| Housing | PA |
| Sensing face | PA |

Status indication :

| | |
|--------|------------|
| Output | Yellow LED |
|--------|------------|

Connection :

| | |
|--------------|-------|
| Connector | M12 |
| Cable | PUR |
| Cable length | 0,8 m |

Accessories (not included) :

Index de montage (SDPQ05RT, SDPQ05RS,...)

Remarks :

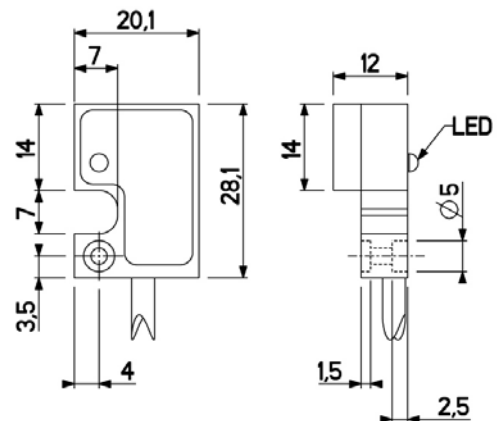
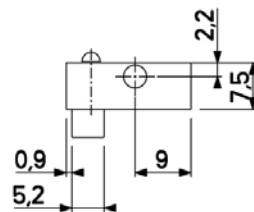
Self-extinguishing polyamide housing (UL94-V0)

C1263P8Q050311N

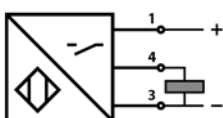
Q5



Dimensions :



Connection diagram :



Pin assignment :

