

**Technical data :**

Output type	PNP
Function	NO
Operating voltage	10...30V DC
Operating current	200 mA
No-load consumption	< 10 mA
Voltage drop	< 2 V
Residual current	< 70 µA
Ambient temperature range	-25...70 °C
Magnetic sensitivity	1 mT
Hysteresis	3...20 %
Repeatability	< 5 %
Switching frequency	20 Hz

**Protection :**

Reverse polarity protection	
Short-circuit protection	
Overload protection	
AC magnetic field immunity (AC welding current)	
IEC 61000-4-2 (ESD)	4 kV contact / 8kV air
IEC 61000-4-4 (Burst)	2kV / 5kHz
IEC 61000-4-6 (RF conducted)	3V 150kHz...80MHz
Protection degree	IP67

**Materials :**

Housing	Zamak
Index	Zamak

**Status indication :**

Output	Yellow LED
--------	------------

**Connection :**

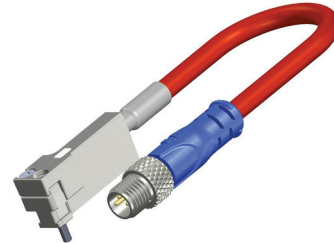
Connector	M8
Cable	PUR, halogen free
Cable length	0,2 m (0/+20 mm)
Cable protection	Silicone-coated fiberglass braided sleeving

**Accessories (included) :**

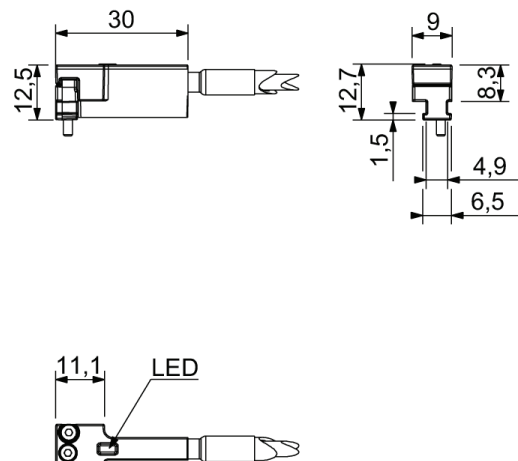
Fixing index for T-shaped groove (SDPQ30RT)

## C1263K02Q3001AST

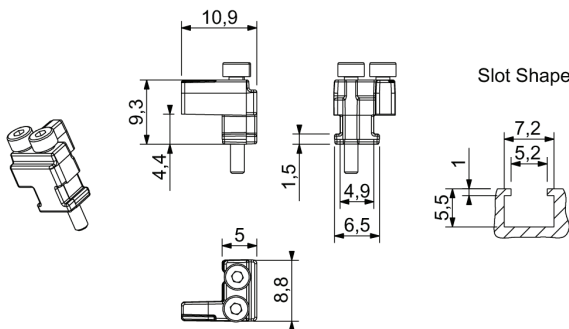
Welding environment  
Q30



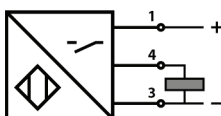
**Dimensions :**



**Details view (index) :**



**Connection diagram :**



**Pin assignment :**

