

Technical data :

Rated operating distance (Sn)	> 40 mm
Mounting mode	Flush
Sensing range measured with a diameter = 18 mm, height = 4 mm, NdFeB magnet	
Output type	PNP
Function	NO
Operating voltage	10...30V DC
Operating current	200 mA
No-load consumption	< 15 mA
Voltage drop	< 2 V
Residual current	< 70 µA
Ambient temperature range	-25...70 °C
Switching frequency	1 kHz
Sensing cell type	Bipolar

Protection :

Reverse polarity protection	
Short-circuit protection	
Overload protection	
IEC 61000-4-2 (ESD)	4 kV contact / 8kV air
IEC 61000-4-4 (Burst)	2kV / 5kHz
IEC 61000-4-6 (RF conducted)	3V 150kHz...80MHz
Class II insulation	
Protection degree	IP67

Materials :

Housing	Brass, nickel-plated
Sensing face	PA

Status indication :

Output	Yellow LED
--------	------------

Connection :

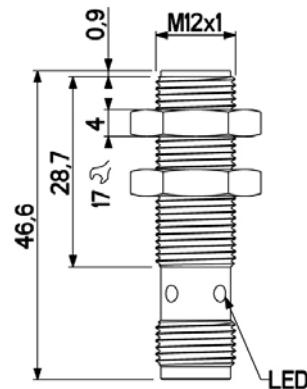
Connector	M12
-----------	-----

C126325M124011

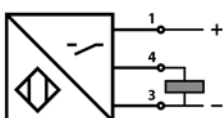
M12



Dimensions :



Connection diagram :



Pin assignment :

