

Technical data :

| | |
|--|-------------|
| Output type | PNP |
| Function | NO |
| Operating voltage | 10...30V DC |
| Operating current | 200 mA |
| No-load consumption | < 10 mA |
| Voltage drop | < 2 V |
| Residual current | < 70 µA |
| Ambient temperature range | -25...70 °C |
| Magnetic sensitivity | 2 mT |
| Hysteresis | 3...20 % |
| Repeatability | < 5 % |
| Switching frequency | 20 Hz |
| Recommended tightening torque (M2 screw) | 0,25Nm |

Protection :

| | |
|---|-----------------------|
| Reverse polarity protection | |
| Short-circuit protection | |
| Overload protection | |
| AC magnetic field immunity (AC welding current) | |
| IEC 61000-4-2 (ESD) | 4kV Contact / 8kV Air |
| IEC 61000-4-4 (Burst) | 2kV / 5kHz |
| IEC 61000-4-6 (RF conducted) | 3V 150kHz...80MHz |
| Protection degree | IP67 |

Materials :

| | |
|---------|-------|
| Housing | Zamak |
| Index | Zamak |

Status indication :

| | |
|--------|------------|
| Output | Yellow LED |
|--------|------------|

Connection :

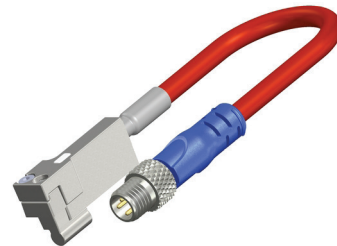
| | |
|------------------|---|
| Connector | M8 |
| Cable | PUR, halogen free |
| Cable length | 0,2 m (0/+20 mm) |
| Cable protection | Silicone-coated fiberglass braided sleeving |

Accessories (included) :

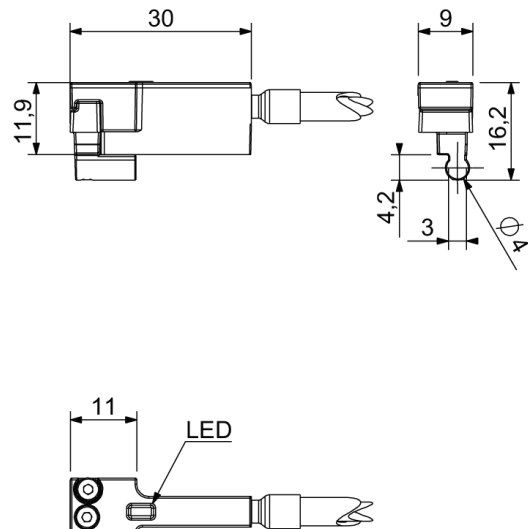
Fixing index for C-shaped groove (SDPQ30RC)

C126322Q300311CTS

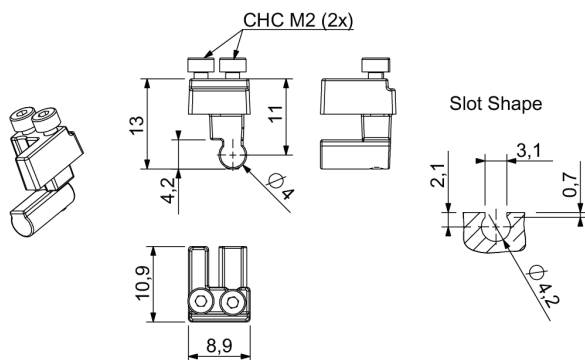
Welding environment
Q30



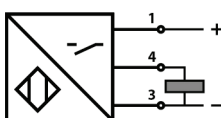
Dimensions :



Details view (index) :



Connection diagram :



Pin assignment :

