

**Technical data :**

Output type	PNP
Function	NO
Operating voltage	10...30V DC
Operating current	200 mA
No-load consumption	< 12 mA
Voltage drop	< 2 V
Residual current	< 70 µA
Ambient temperature range	-25...70 °C
Hysteresis	< 1 mm
Switching frequency	20 Hz
Output turn-off delay	20 ms

**Protection :**

Reverse polarity protection	
Short-circuit protection	
Overload protection	
AC magnetic field immunity (AC welding current)	
IEC 61000-4-2 (ESD)	4 kV contact / 8kV air
IEC 61000-4-4 (Burst)	2kV / 5kHz
IEC 61000-4-6 (RF conducted)	3V 150kHz...80MHz
Protection degree	IP67

**Materials :**

Housing	PA
Sensing face	PA

**Status indication :**

Output	Yellow LED
--------	------------

**Connection :**

Connector	M8
Cable	PUR
Cable length	0,2 m
Cable protection	Silicone-coated fiberglass braided sleeving

**Accessories (not included) :**

Assembly index (SDPQ05RT, SDPQ05RS, ...)

**Remarks :**

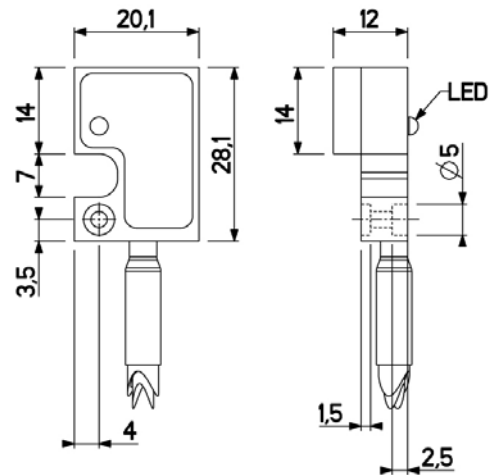
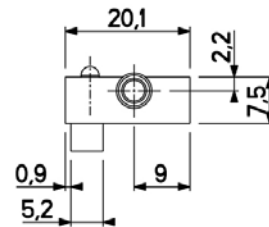
Self-extinguishing polyamide housing (UL94-V0)

## C126322Q050311NTS

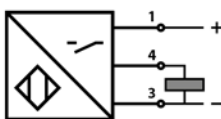
Welding environment  
Q05



**Dimensions :**



**Connection diagram :**



**Pin assignment :**

