

**Technical data :**

Rated operating distance (Sn)	10 mm
Mounting mode	Flush
Function	NC
Operating voltage	20...250 V AC/DC (45...65 Hz)
Operating current	3...200 mA
Maximum overcurrent	1,5 A (20 ms / 0,5 Hz)
Voltage drop	< 8,2V
Residual current	< 2,5 mA
Ambient temperature range	0...60 °C
Hysteresis	3...15 %
Repeatability	< 5 %
Switching frequency	50 Hz

**Protection :**

IEC 61000-4-2 (ESD)	4 kV contact / 8kV air
IEC 61000-4-4 (Burst)	2kV / 5kHz
Class II insulation	
Protection degree	IP67

**Materials :**

Housing	Brass, nickel-plated
Sensing face	PA

**Status indication :**

Output	Yellow LED
--------	------------

**Connection :**

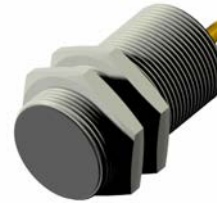
Cable	PVC (2x0,34mm <sup>2</sup> )
Cable length	5 m

**Accessories (included) :**

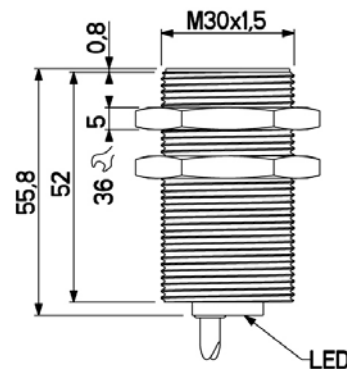
2 nickel-plated brass fixing nuts

## B139255M301011

M30



**Dimensions :**



**Connection diagram :**

