

Technical data :

Operating voltage	10...30 V DC
Rated current	2 A
Insulation resistance	> 1000 MΩ
Ambient temperature range	-25...70 °C

Protection :

Protection degree	IP65
-------------------	------

Male receptacle («series 28») :

Mounting type	External screwing
Receptacle material	CuZn, nickel-plated
Contact diameter	Ø1 mm
Contact material	CuZn, pre-plated with nickel and gold-plated
Contact resistance	< 5 mΩ
Contact arrangement according to UTE C93-422-L2	

M12 female receptacle :

Receptacle material	CuZn, nickel-plated
Contact diameter	8 x Ø0,8 mm
Contact material	CuZn, pre-plated with nickel and gold-plated
Contact resistance	< 5 mΩ
Place to mount SHUNTCODP (encoding)	

Accessories (not included) :

Coding plug (SHUNTCODP)

Remarks :

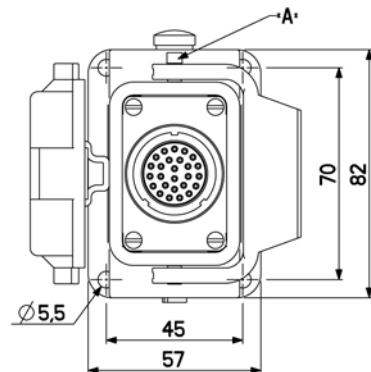
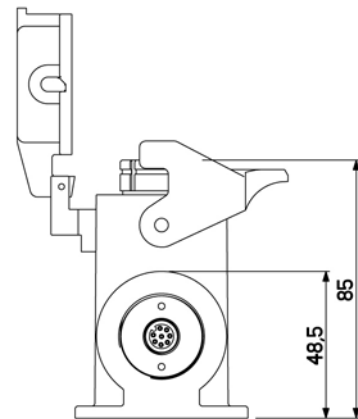
A : Visual identification (red marking)

ADL28L12

Press tools



Dimensions :



Wiring diagram :

