

Technical data :

Rated operating distance (Sn)	5 mm
Mounting mode	Flush
Function	NO+NO
Operating voltage	10...55V DC
Operating current	1,5...100 mA
No-load consumption	< 8 mA
Voltage drop	< 2,5V
Residual current	< 70 µA
Ambient temperature range	-25...70 °C
Hysteresis	3...15 %
Repeatability	< 5 %
Switching frequency	600 Hz

Protection :

Reverse polarity protection	
Short-circuit protection	
Overload protection	
IEC 61000-4-2 (ESD)	4 kV contact / 8kV air
IEC 61000-4-4 (Burst)	2kV / 5kHz
IEC 61000-4-6 (RF conducted)	3V 150kHz...80MHz
Class II insulation	
Protection degree	IP67

Materials :

Housing	Anodized aluminium
Connector	Brass, nickel-plated
Sensing face	PA

Status indication :

Output S4	Yellow LED
Output S2	Green LED

Connection :

Connector	M12
-----------	-----

Accessories (included) :

2 label holders

Accessories (not included) :

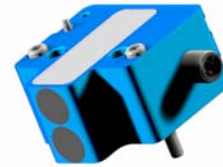
Socle (avec 1 porte étiquettes) : SDPMDQ16

Hood : OBTQ12

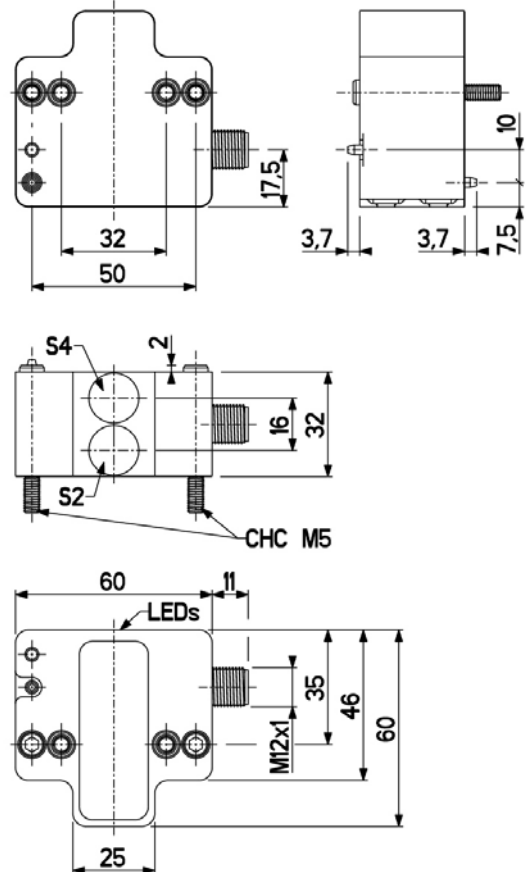
Remarks :

Sensor mounting way allows M12 left or right connector positioning

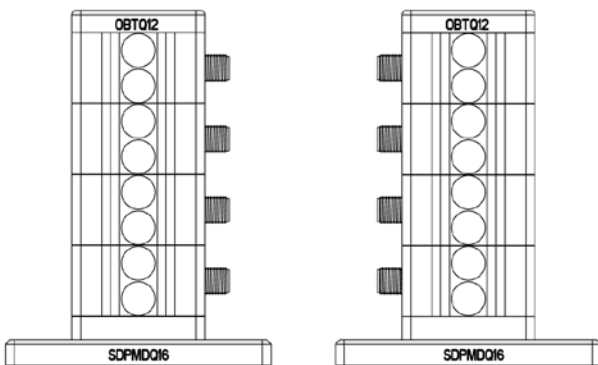
A4202MDQ160511
Pitch = 16 mm
LC16



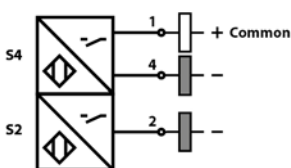
Dimensions :



Details view (Fixing) :



Connection diagram :



Pin assignment :

