

**Technical data :**

Rated operating distance (Sn)	4 mm
Mounting mode	Flush
Function	NO+NO
Operating voltage	10...55V DC
Operating current	1,5...100 mA
Voltage drop	< 5 V
Residual current	< 600 µA
Ambient temperature range	-25...70 °C
Hysteresis	3...15 %
Repeatability	< 5 %
Switching frequency	1 kHz

**Protection :**

Reverse polarity protection	
Short-circuit protection	
Overload protection	
IEC 61000-4-2 (ESD)	4 kV contact / 8kV air
IEC 61000-4-4 (Burst)	2kV / 5kHz
IEC 61000-4-6 (RF conducted)	3V 150kHz...80MHz
Protection degree	IP67

**Materials :**

Housing	Anodized aluminium
Connector	Brass, nickel-plated
Sensing face	PA

**Status indication :**

Output S4	Yellow LED
Output S2	Green LED

**Connection :**

Connector	M12
-----------	-----

**Accessories (included) :**

2 label holders

**Accessories (not included) :**

Base (with 1 label holder) : SDPMDQ12

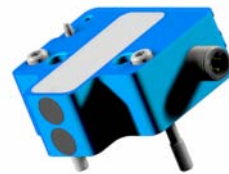
Hood : OBTQ12

**Remarks :**

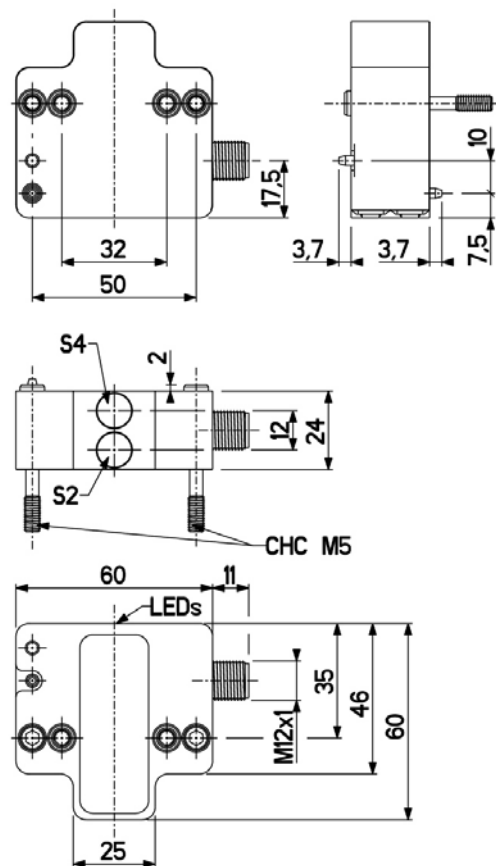
Sensor mounting way allows M12 left or right connector positioning

## A4202MDQ120411

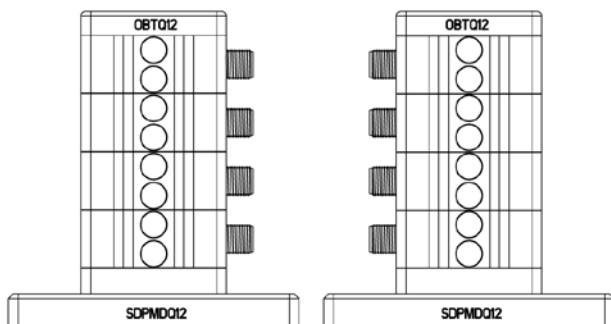
Pitch = 12 mm  
LC12



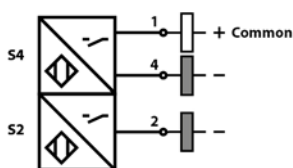
**Dimensions :**



**Details view (Fixing) :**



**Connection diagram :**



**Pin assignment :**

