

**Technical data :**

Rated operating distance (Sn)	1,5 mm
Mounting mode	Flush
Function	NO
Operating voltage	20...250 V AC/DC (45...65 Hz)
Operating current	3...150 mA
Maximum overcurrent	2,2 A (10 ms / 3 Hz)
Voltage drop	< 6 V
Residual current	< 1,5 mA
Ambient temperature range	-25...70 °C
Hysteresis	3...15 %
Repeatability	< 5 %
Switching frequency	25 Hz AC / 100 Hz DC

**Protection :**

Non-polarised	
IEC 61000-4-2 (ESD)	4 kV contact / 8kV air
IEC 61000-4-4 (Burst)	2kV / 5kHz
IEC 61000-4-6 (RF conducted)	3V 150kHz...80MHz
Class II insulation	
Protection degree	IP67

**Materials :**

Housing	Brass, nickel-plated
Sensing face	PA

**Status indication :**

Output	Yellow LED
--------	------------

**Connection :**

Cable	PVC (2x0,34mm <sup>2</sup> )
Cable length	2 m

**Accessories (included) :**

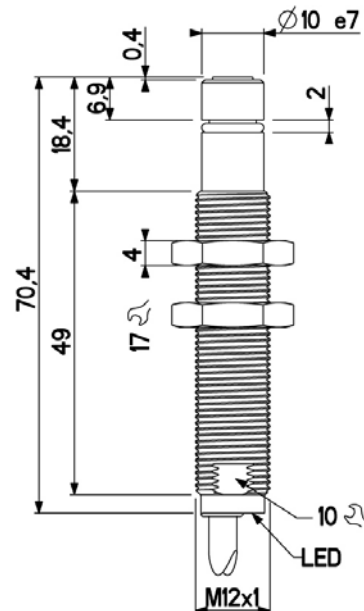
2 nickel-plated brass fixing nuts

## A1302P1M120111

M12



**Dimensions :**



**Connection diagram :**

