

**Technical data :**

Rated operating distance (Sn)	40 mm
Mounting mode	Flush
Function	NO
Operating voltage	20...250 V AC/DC (45...65 Hz)
Operating current	3...150 mA
Maximum overcurrent	2,2 A (10 ms / 3 Hz)
Voltage drop	< 6 V
Residual current	< 1,5 mA
Ambient temperature range	-25...70 °C
Hysteresis	3...15 %
Repeatability	< 5 %
Switching frequency	25 Hz

**Protection :**

Non-polarised	
IEC 61000-4-2 (ESD)	4 kV contact / 8kV air
IEC 61000-4-4 (Burst)	2kV / 5kHz
IEC 61000-4-6 (RF conducted)	3V 150kHz...80MHz
Protection degree	IP67

**Materials :**

Housing	PA
Sensing face	PA

**Status indication :**

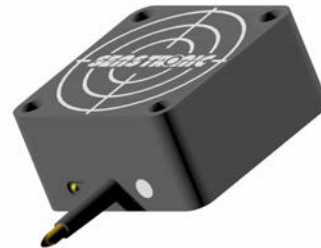
Output	Yellow LED
--------	------------

**Connection :**

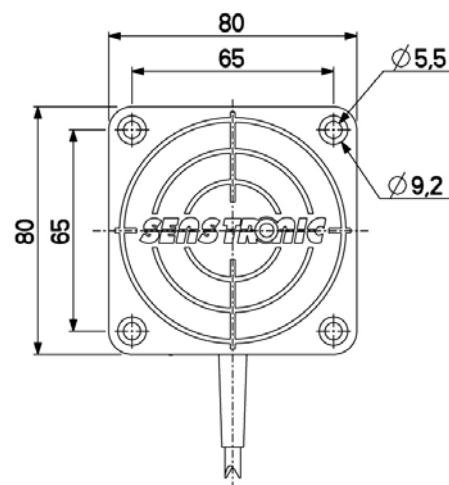
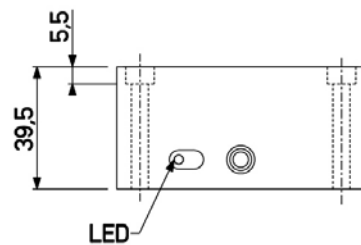
Cable	PVC (2x0,34mm <sup>2</sup> )
Cable length	5 m

## A130255Q804021

Q80



**Dimensions :**



**Connection diagram :**

