

Technical data :

Rated operating distance (Sn)	15 mm
Mounting mode	Flush
Function	NO
Operating voltage	20...250 V AC/DC (45...65 Hz)
Operating current	3...150 mA
Maximum overcurrent	2,2 A (10 ms / 3 Hz)
Voltage drop	< 6 V
Residual current	< 1,5 mA
Ambient temperature range	-25...70 °C
Hysteresis	3...15 %
Repeatability	< 5 %
Switching frequency	10 Hz

Protection :

Non-polarised	
Protection degree	IP67

Materials :

Housing	PA
Sensing face	PA

Status indication :

Output	Yellow LED
--------	------------

Connection :

Connector	7/8
Cable	PUR
Cable length	0,2 m

Accessories (included) :

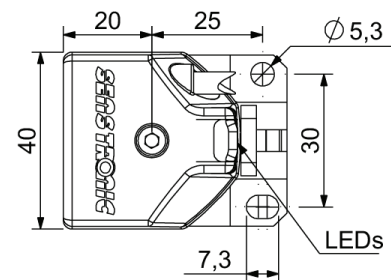
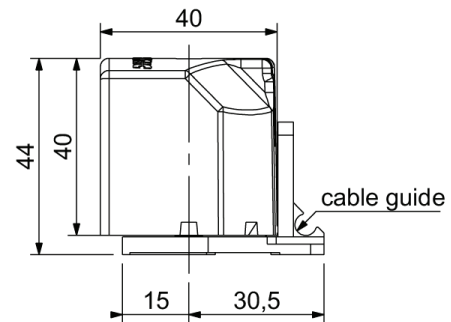
- 1 Q40 zamak holder
- 1 zinc-plated steel screw CHC M4-40 mm
- 1 stainless steel spring washer, Type S

A130202Q401521

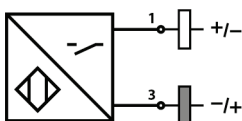
Q40



Dimensions :



Connection diagram :



Pin assignment :

