

Technical data :

Rated operating distance (Sn)	20 mm
Mounting mode	Quasi-Flush (according to details view)
Output type	PNP
Function	NO/NC
Operating voltage	10...30V DC
Operating current	200 mA
Non-Load consumption	< 20 mA
Voltage drop	< 2 V
Residual current	< 70 µA
Ambient temperature range	-25...70 °C
Hysteresis	2...15 %
Repeatability	< 5 %
Switching frequency	45 Hz

Protection :

Reverse polarity protection	
Short-circuit protection	
Overload protection	
IEC 61000-4-2 (ESD)	4kV Contact / 8kV Air
IEC 61000-4-4 (Burst)	2kV / 5kHz
IEC 61000-4-6 (RF conducted)	3V 150kHz...80MHz
Magnetic field immunity	300 mT (AC/DC)
Class II insulation	
Protection degree	IP67

Materials :

Housing	PA
Connector	Brass, nickel-plated
Sensing face	PA, welding protection coating

Status indication :

Power	Green LED
Output	Yellow LED

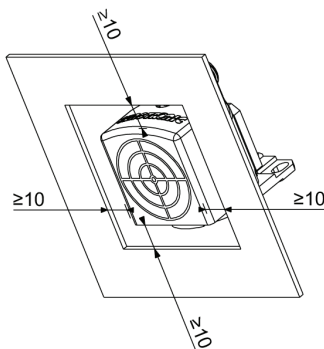
Connection :

Connector	M12
Cable	PUR
Cable length	0,2 m (0/+20 mm)
Cable protection	Aramid fibre (kevlar) braided sleeving

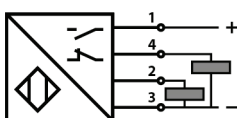
Accessories (included) :

- 1 Q40 zamak holder
- 1 zinc-plated steel screw CHC M4-40 mm
- 1 stainless steel spring washer, Type S

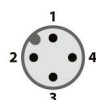
Details view (mounting mode) :



Connection diagram :



Pin assignment :



A1284L02Q402086PK

Factor 1 Series
Q40



Dimensions :

