

Technical data :

| | |
|-------------------------------|-------------|
| Rated operating distance (Sn) | 15 mm |
| Mounting mode | Flush |
| Output type | PNP |
| Function | NO/NC |
| Operating voltage | 10...30V DC |
| Operating current | 200 mA |
| No-load consumption | < 15 mA |
| Voltage drop | < 2 V |
| Residual current | < 70 µA |
| Ambient temperature range | -25...70 °C |
| Hysteresis | 3...15 % |
| Repeatability | < 5 % |
| Switching frequency | 100 Hz |

Protection :

| | |
|------------------------------|------------------------|
| Reverse polarity protection | |
| Short-circuit protection | |
| Overload protection | |
| IEC 61000-4-2 (ESD) | 4 kV contact / 8kV air |
| IEC 61000-4-4 (Burst) | 2kV / 5kHz |
| IEC 61000-4-6 (RF conducted) | 3V 150kHz...80MHz |
| Class II insulation | |
| Protection degree | IP67 |

Materials :

| | |
|--------------|----|
| Housing | PA |
| Sensing face | PA |

Status indication :

| | |
|--------|------------|
| Power | Green LED |
| Output | Yellow LED |

Connection :

| | |
|--------------|-------|
| Connector | M12 |
| Cable | PVC |
| Cable length | 1,4 m |

Accessories (included):

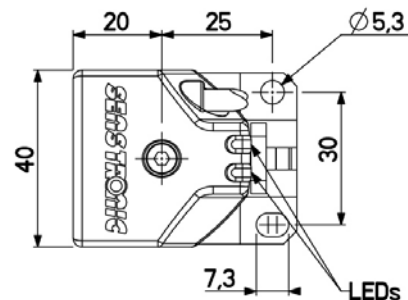
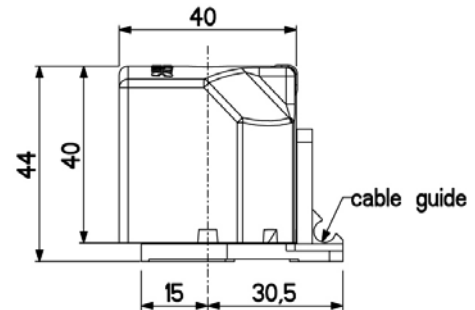
- 1 Q40 zamak holder
- 1 zinc-plated steel screw CHC M4-40 mm
- 1 stainless steel spring washer, Type S

A128417Q401521

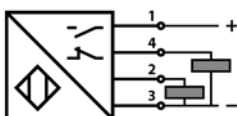
Q40



Dimensions :



Connection diagram :



Pin assignment :

