

**Technical data :**

Rated operating distance (Sn)	20 mm
Mounting mode	Flush (*)
(*) Flush mountable as shown in diagram enclosed	
Output type	PNP
Function	NC
Operating voltage	10...30 V DC
Operating current	200 mA
No-load consumption	< 20 mA
Voltage drop	< 2 V
Residual current	< 70 µA
Ambient temperature range	-25...70 °C
Hysteresis	2...15 %
Repeatability	< 5 %
Switching frequency	100 Hz

**Protection :**

Reverse polarity protection	
Short-circuit protection	
Overload protection	
IEC 61000-4-2 (ESD)	4kV Contact / 8kV Air
IEC 61000-4-4 (Burst)	2kV / 5kHz
IEC 61000-4-6 (RF conducted)	3V 150kHz...80MHz
Class II insulation	
Protection degree	IP67

**Materials :**

Housing	PA
Connector	Brass, nickel-plated
Sensing face	PA

**Status indication :**

Power	Green LED
Output	Yellow LED

**Connection :**

Connector	M12
-----------	-----

**Accessories (included) :**

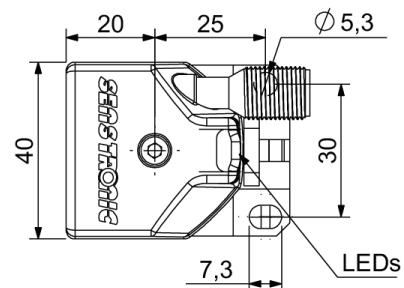
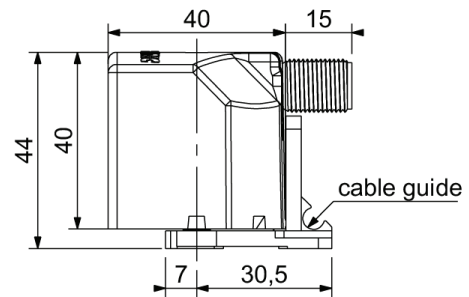
- 1 Q40 zamak holder
- 1 zinc-plated steel screw CHC M4-40 mm
- 1 stainless steel spring washer, Type S

## A1273L1Q402021

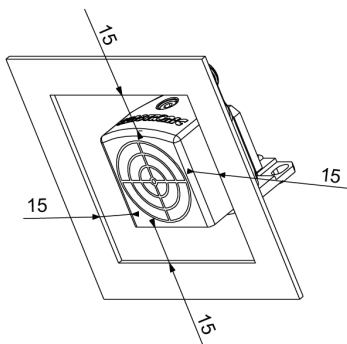
Q40



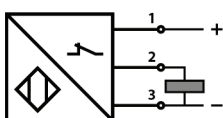
**Dimensions :**



**Details view (mounting mode) :**



**Connection diagram :**



**Pin assignment :**

