

Technical data :

| | |
|--|--------------|
| Rated operating distance (Sn) | 4 mm |
| Mounting mode | Flush (*) |
| (*) As shown in the mechanical view enclosed | |
| Output type | PNP |
| Function | NC |
| Operating voltage | 10...30 V DC |
| Operating current | 200 mA |
| Non-Load consumption | < 15 mA |
| Voltage drop | < 2 V |
| Residual current | < 70 µA |
| Ambient temperature range | 0...70 °C |
| Hysteresis | 2...15 % |
| Repeatability | < 5 % |
| Switching frequency | 10 Hz |

Protection :

| | |
|------------------------------|-----------------------|
| Reverse polarity protection | |
| Short-circuit protection | |
| Overload protection | |
| IEC 61000-4-2 (ESD) | 4kV Contact / 8kV Air |
| IEC 61000-4-4 (Burst) | 2kV / 5kHz |
| IEC 61000-4-6 (RF conducted) | 3V 150kHz...80MHz |
| Protection degree | IP67 |

Materials :

| | |
|--------------|-----------------|
| Housing | Stainless steel |
| Sensing face | Stainless steel |

Status indication :

| | |
|--------|------------|
| Output | Yellow LED |
|--------|------------|

Connection :

| | |
|-----------|-----|
| Connector | M12 |
|-----------|-----|

Accessories (included) :

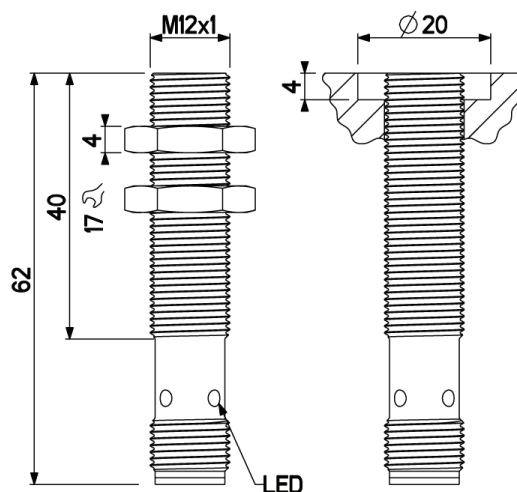
2 stainless steel fixing nuts

A127305M120461

M12



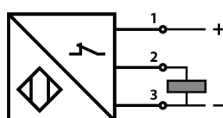
Dimensions :



Correction factor :

| Matériau détecté Detected material | Facteur de correction Correction factor |
|--|--|
| Acier / Steel (12 x 12 x 1 mm) | 1,00 |
| Laiton / Brass (12 x 12 x 1 mm) | 0,01 |
| Cuivre / Copper (12 x 12 x 1 mm) | 0,00 |
| Cuivre / Copper (12 x 12 x 0,1 mm) | 0,40 |
| Aluminium / Aluminium (12 x 12 x 1 mm) | 0,00 |
| Aluminium / Aluminium (12 x 12 x 0,1 mm) | 0,15 |

Connection diagram :



Pin assignment :

