

**Technical data :**

Rated operating distance (Sn)	2 mm
Mounting mode	Flush
Output type	PNP
Function	NO
Operating voltage	10...30V DC
Operating current	100 mA
Non-Load consumption	< 15 mA
Voltage drop	< 2 V
Residual current	< 70 µA
Ambient temperature range	0...120 °C (*)
Hysteresis	2...15 %
Repeatability	< 5 %
Switching frequency	150 Hz

**Protection :**

Reverse polarity protection	
Short-circuit protection	
Overload protection	
IEC 61000-4-2 (ESD)	4kV Contact / 8kV Air
IEC 61000-4-4 (Burst)	2kV / 5kHz
IEC 61000-4-6 (RF conducted)	3V 150kHz...80MHz
Protection degree	IP67

**Materials :**

Housing	Stainless steel
Connector	Brass, nickel-plated
Sensing face	Ceramic

**Status indication :**

Output	Yellow LED
--------	------------

**Connection :**

Connector	M12
Cable	PUR, halogen free
Cable length	0,2 m (0/+20 mm)
Cable protection	Silicone-coated fiberglass braided sleeving
*X*	Silicone termination sleeve

**Remark :**

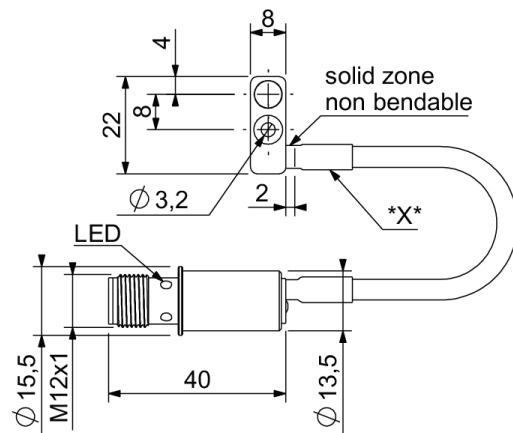
(\*) 0...120°C sensor part, 0...85°C connector part

## A1263Y02Q200231CH

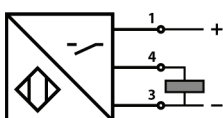
Welding environment  
Q20 High temperature



**Dimensions :**



**Connection diagram :**



**Pin assignment :**

