

Technical data :

Output type	PNP
Function	NO
Operating voltage	10...30V DC
Operating current	100 mA
No-load consumption	< 20 mA
Voltage drop	< 2 V
Residual current	< 70 µA
Ambient temperature range	0...60 °C
Hysteresis	3...15 %
Repeatability	< 5 %
Switching frequency	500 Hz

Protection :

Reverse polarity protection	
Short-circuit protection	
Overload protection	
Magnetic field immunity (welding current)	
IEC 61000-4-2 (ESD)	4 kV contact / 8kV air
IEC 61000-4-4 (Burst)	2kV / 5kHz
IEC 61000-4-6 (RF conducted)	3V 150kHz...80MHz
Class II insulation	
Protection degree	IP67

Materials :

Amplifier housing	PBT
-------------------	-----

Status indication :

Power	Green LED
Output S4	Yellow LED
Output S2	Red LED

Connection :

Connector	M12
-----------	-----

Set including :

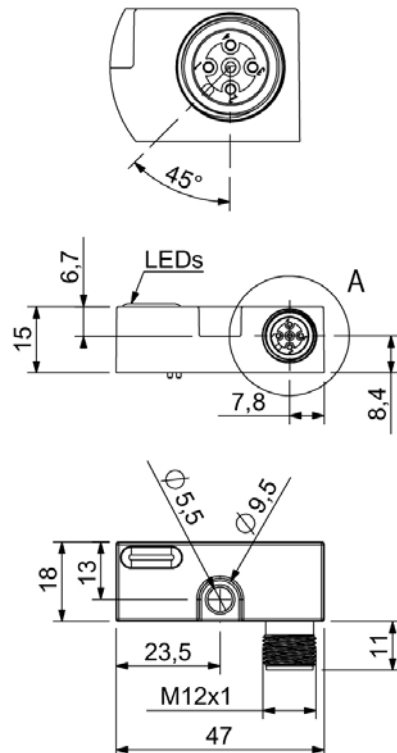
- 1x A1263VBK50XX2X Amplifier
- 1x Zinc-plated Steel spring washer
- 1x CHC M5-12 mm Aluminium fuse screw
- 1x CHC M5-20 mm Zinc-plated steel screw (ISO 4762 DIN 912)
- Maximum recommended tightening torque 1 N.m

A1263VBK50XX2XS

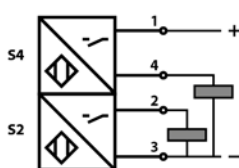
K500 removable amplifier set
K500



Dimensions :



Connection diagram :



Pin assignment :

