

**Technical data :**

|                               |              |
|-------------------------------|--------------|
| Rated operating distance (Sn) | 2 mm         |
| Mounting mode                 | Flush        |
| Output type                   | PNP          |
| Function                      | NO           |
| Operating voltage             | 10...30V DC  |
| Operating current             | 100 mA       |
| No-load consumption           | < 10 mA      |
| Voltage drop                  | < 2 V        |
| Residual current              | < 70 $\mu$ A |
| Ambient temperature range     | 0...85 °C    |
| Hysteresis                    | 3...15 %     |
| Repeatability                 | < 5 %        |
| Switching frequency           | 1 kHz        |

**Protection :**

|                              |                        |
|------------------------------|------------------------|
| Reverse polarity protection  |                        |
| Short-circuit protection     |                        |
| Overload protection          |                        |
| IEC 61000-4-2 (ESD)          | 4 kV contact / 8kV air |
| IEC 61000-4-4 (Burst)        | 2kV / 5kHz             |
| IEC 61000-4-6 (RF conducted) | 3V 150kHz...80MHz      |
| Protection degree            | IP67                   |

**Materials :**

|              |                    |
|--------------|--------------------|
| Housing      | Anodized aluminium |
| Sensing face | Ceramic            |

**Status indication :**

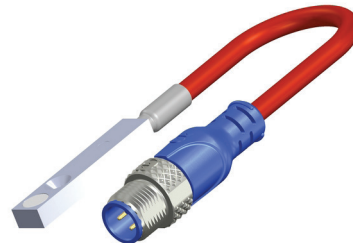
|        |            |
|--------|------------|
| Output | Yellow LED |
|--------|------------|

**Connection :**

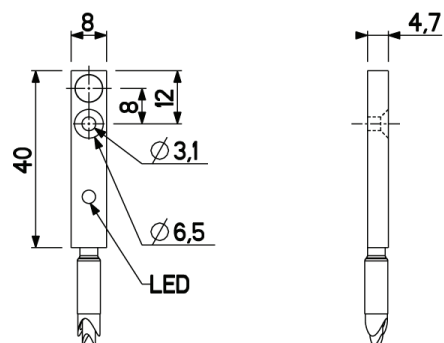
|                  |   |
|------------------|---|
| Connector        | M12   |
| Cable            | PUR, halogen free                           |
| Cable length     | 0,2 m                                       |
| Cable protection | Silicone-coated fiberglass braided sleeving |

## A1263S2Q080241KTS

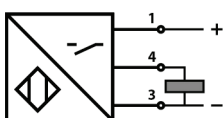
Welding environment  
Q08



**Dimensions :**



**Connection diagram :**



**Pin assignment :**

