

Technical data :

Rated operating distance (Sn)	1,8 mm
Mounting mode	Flush
Output type	PNP
Function	NO
Operating voltage	10...30V DC
Operating current	100 mA
No-load consumption	< 20 mA
Voltage drop	< 2 V
Residual current	< 70 µA
Ambient temperature range	0...60 °C
Hysteresis	3...15 %
Repeatability	< 5 %
Switching frequency	500 Hz

Protection :

Reverse polarity protection	
Short-circuit protection	
Overload protection	
Magnetic field immunity (welding current)	
IEC 61000-4-2 (ESD)	4 kV contact / 8kV air
IEC 61000-4-4 (Burst)	2kV / 5kHz
IEC 61000-4-6 (RF conducted)	3V 150kHz...80MHz
Class II insulation	
Protection degree	IP67 (only when plugged)

Materials :

Amplifier housing / Sensors housings	PBT / PA
Sensors receptacle	Zamak
Sensing face	PA

Status indication :

Power	Green LED
Output S4	Yellow LED
Output S2	Red LED

Connection :

Receptacle	M12
Cable (satellites)	PUR
LS2 Cable length	100 mm (0/+10 mm)
LS4 Cable length	100 mm (0/+10 mm)

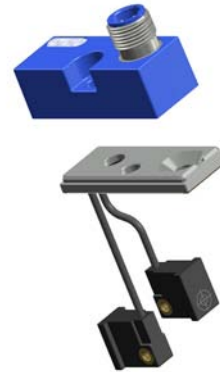
Accessories (included) :

1x FHC M5-10 Steel screw (ISO 10642 DIN 7991)
 Maximum recommended tightening torque 2 N.m

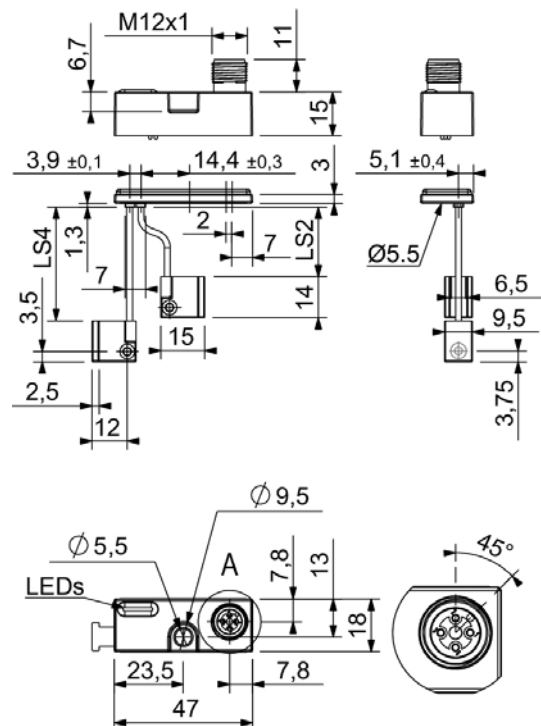
Remarks :

The components references included in this set are the following :
 Amplifier : A1263H1K50XX2X
 Sensors : A22XXS1K500121

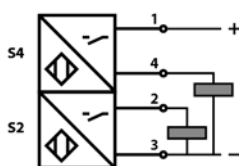
A1263S1K500121H
 K500 sensor set with removable amplifier
 K500



Dimensions :



Connection diagram :



Pin assignment :

