

Technical data :

Rated operating distance (Sn)	2,5 mm
Mounting mode	Flush (*)
(*) Sensing range measured when flush mounted (as shown in diagram enclosed) with standard target according to EN 60947-5-2	
Output type	PNP
Function	NO
Operating voltage	10...30 V DC
Operating current	200 mA
Non-Load consumption	< 20 mA
Voltage drop	< 2 V
Residual current	< 70 µA
Ambient temperature range	-25...120 °C
Hysteresis	3...15 %
Repeatability	< 5 %
Switching frequency	8 Hz

Protection :

Reverse polarity protection	
Short-circuit protection	
Overload protection	
IEC 61000-4-2 (ESD)	4kV Contact / 8kV Air
IEC 61000-4-4 (Burst)	2kV / 5kHz
IEC 61000-4-6 (RF conducted)	3V 150kHz...80MHz
Protection degree	IP67/IP68 (*)

Materials :

Housing	Stainless steel (1.4305)
Sensing face	Stainless steel (1.4306)

Connection :

Connector	M12
Cable	PVC
Cable length	0,15 m
Max. cable operating temperature:	90°C

Accessories (included) :

1 nickel plated brass fixing nut

Remarks :

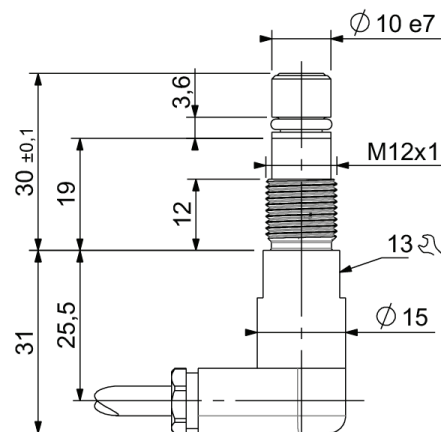
(*) IP68 : For more details, please enquire

A1263P6M120211

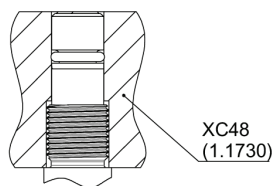
High pressure (500 bar)
M12



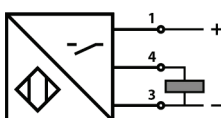
Dimensions :



Details view (mounting mode) :



Connection diagram :



Pin assignment :

