

Technical data :

Output type	PNP
Function	NO
Operating voltage	10...55 V DC
Operating current	150 mA
No-load consumption	< 7 mA
Voltage drop	< 2,5 V
Residual current	< 70 µA
Ambient temperature range	-25...70 °C
Hysteresis	3...15 %
Repeatability	< 5 %
Switching frequency	20 Hz
Slide's total stroke	1,8 mm +/- 0,3 mm
Force to be applied to the slide for detecting	< 2,5 N
Slide's biasing force	> 0,9 N

Protection :

Reverse polarity protection	
Short-circuit protection	
Overload protection	
IEC 61000-4-2 (ESD)	4 kV contact / 8kV air
IEC 61000-4-4 (Burst)	2kV / 5kHz
IEC 61000-4-6 (RF conducted)	3V 150kHz...80MHz
Protection degree	IP67

Materials :

Housing	Brass, nickel-plated
Slide	Stainless steel

Status indication :

Output	Yellow LED
--------	------------

Connection :

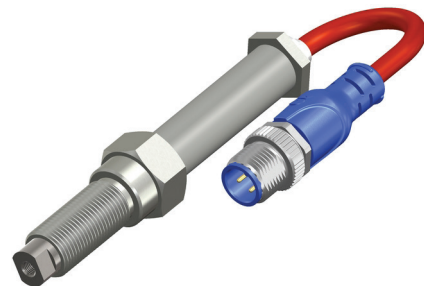
Connector	M12
Cable	PVC
Cable length	0,8 m
Cable protection	Silicone-coated fiberglass braided sleeving

Accessories (included) :

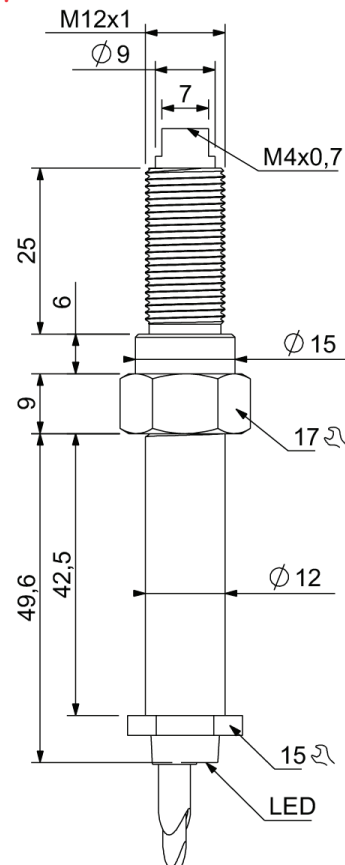
Transmitter (TRSPYL)	
----------------------	--

A1263N6L12SP11LTS

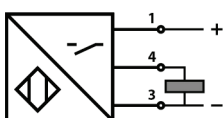
Welding environment
Poka-Yoke



Dimensions :



Connection diagram :



Pin assignment :

