

**Technical data :**

Rated operating distance (Sn)	1,5 mm
Mounting mode	Flush
Output type	PNP
Function	NO
Operating voltage	10...30V DC
Operating current	200 mA
No-load consumption	< 10 mA
Voltage drop	< 2 V
Residual current	< 70 µA
Ambient temperature range	-25...70 °C
Hysteresis	3...15 %
Switching frequency	2 kHz

**Protection :**

Reverse polarity protection	
Short-circuit protection	
Overload protection	
IEC 61000-4-2 (ESD)	4 kV contact / 8kV air
IEC 61000-4-4 (Burst)	2kV / 5kHz
IEC 61000-4-6 (RF conducted)	3V 150kHz...80MHz
Class II insulation	
Protection degree	IP67

**Materials :**

Housing	Brass, nickel-plated
Sensing face	PA

**Status indication :**

Output	Yellow LED
--------	------------

**Connection :**

Connector	M8
Cable	PUR
Cable length	0,2 m

**Accessories (included) :**

2 nickel-plated brass fixing nuts

**Accessories (not included) :**

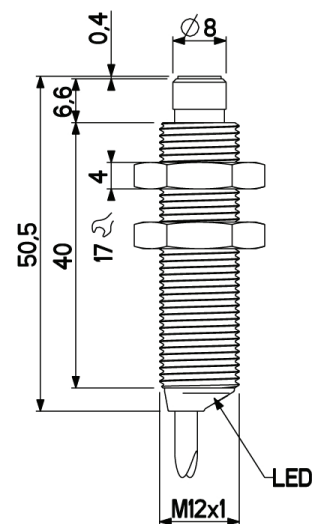
Reading pocket (BL06)

## A1263MMM120111

Integrated counters  
M12



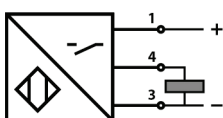
**Dimensions :**



**Integrated hour counter :**

Compteur horaire intégré / Integrated hour counter	
Résolution / Résolution	1 h
Résolution interne / Internal resolution	1 min
Précision / Accuracy	+/- 1%
Capacité de comptage / Counting capacity	1 000 000 h
Comptage horaire si / Hour counter if	F > 5 Hz
CNT1 : Compteur horaire totalisateur / Hour counter totalizer	
CNT2 : Compteur horaire avec possibilité de remise à zéro / Hour counter with reset capability	

**Connection diagram :**



**Pin assignment :**

