

Technical data :

Rated operating distance (Sn)	2 mm
Mounting mode	Non noyable
Output type	PNP
Function	NO
Operating voltage	10...30V DC
Operating current	100 mA
No-load consumption	< 25 mA
Voltage drop	< 2 V
Residual current	< 70 µA
Ambient temperature range	0...60 °C
Hysteresis	3...15 %
Repeatability	< 5 %
Switching frequency	500 Hz

Protection :

Reverse polarity protection	
Short-circuit protection	
Overload protection	
Magnetic field immunity (welding current)	
IEC 61000-4-2 (ESD)	4 kV contact / 8kV air
IEC 61000-4-4 (Burst)	2kV / 5kHz
IEC 61000-4-6 (RF conducted)	3V 150kHz...80MHz
Protection degree	IP67

Materials :

Main housing	Zamak
Satellite housing	PA
Sensing face	PA

Status indication :

Power	Green LED
Output S2	Red LED
Output S4	Yellow LED

Connection :

Connector	M12
Cable (satellites)	PUR
Cable	PUR
LS2 Cable length	60 mm (0/+10 mm)
LS4 Cable length	60 mm (0/+10 mm)
Main cable length	0,2 m

Accessories (included) :

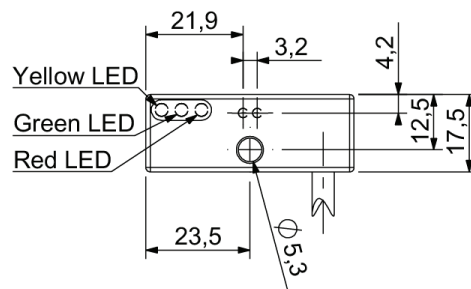
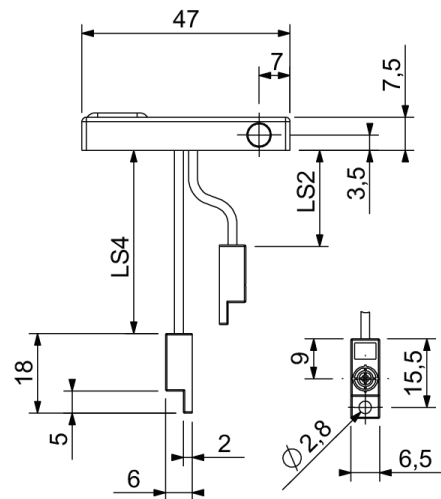
1 zinc-plated steel screw CHC M5-14 mm

A1263M1Q470242

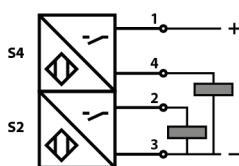
Q47



Dimensions :



Connection diagram :



Pin assignment :

