

Technical data :

Rated operating distance (Sn)	2,5 mm
Mounting mode	Flush
Output switches above 380 detections per minute +/-2%	
Output type	PNP
Function	NO
Operating voltage	10...30 V DC
Operating current	200 mA
No-load consumption	< 25 mA
Voltage drop	< 2 V
Residual current	< 70 µA
Ambient temperature range	-25...70 °C
Hysteresis	2...15 %
Repeatability	< 5 %
Switching frequency	1 kHz

Protection :

Reverse polarity protection	
Short-circuit protection	
Overload protection	
IEC 61000-4-2 (ESD)	4 kV contact / 8kV air
IEC 61000-4-4 (Burst)	2kV / 5kHz
IEC 61000-4-6 (RF conducted)	3V 150kHz...80MHz
Protection degree	IP67

Materials :

Housing	Anodized aluminium
Sensing face	PA

Status indication :

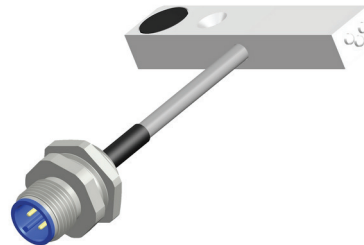
Power	Green LED
Detection	Yellow LED
Output	Yellow LED

Connection :

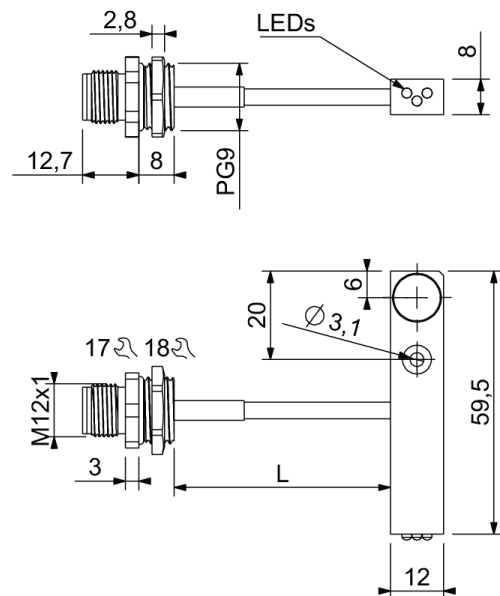
Receptacle	M12
Cable	PVC
L cable length	0,04 m

A1263L5Q590211

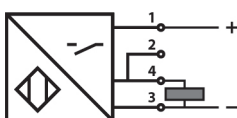
Speed controller
Q59



Dimensions :



Connection diagram :



Pin assignment :

