

**Technical data :**

Rated operating distance (Sn)	2,5 mm
Mounting mode	Flush
Output switches above 380 detections per minute +/-2%	
Output type	PNP
Function	NO
Operating voltage	10...30 V DC
Operating current	200 mA
No-load consumption	< 25 mA
Voltage drop	< 2 V
Residual current	< 70 µA
Ambient temperature range	-25...70 °C
Hysteresis	2...15 %
Repeatability	< 5 %
Switching frequency	1 kHz

**Protection :**

Reverse polarity protection	
Short-circuit protection	
Overload protection	
IEC 61000-4-2 (ESD)	4 kV contact / 8kV air
IEC 61000-4-4 (Burst)	2kV / 5kHz
IEC 61000-4-6 (RF conducted)	3V 150kHz...80MHz
Protection degree	IP67

**Materials :**

Housing	Anodized aluminium
Sensing face	PA

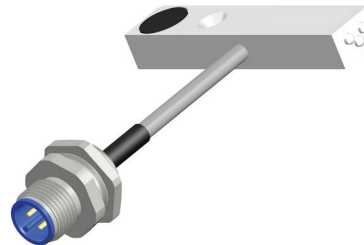
**Status indication :**

Power	Green LED
Detection	Yellow LED
Output	Yellow LED

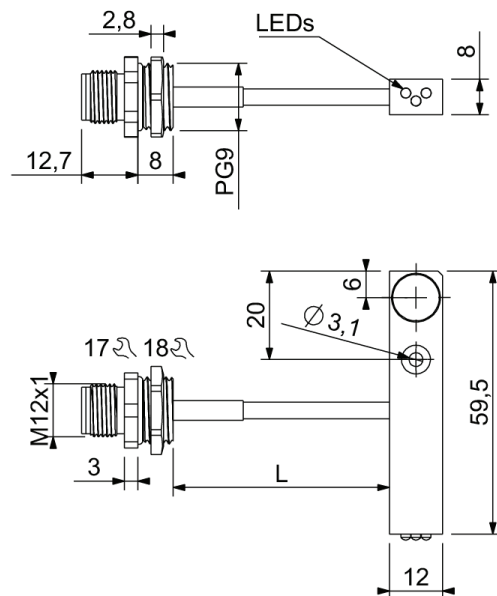
**Connection :**

Receptacle	M12
Cable	PVC
L cable length	0,25 m

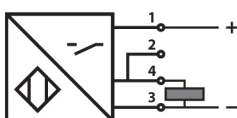
**A1263L2Q590211**  
Speed controller  
Q59



**Dimensions :**



**Connection diagram :**



**Pin assignment :**

