

**Technical data :**

Rated operating distance (Sn)	5 mm
Mounting mode	Flush
Output type	PNP
Function	NO
Operating voltage	10...30V DC
Operating current	200 mA
No-load consumption	< 10 mA
Voltage drop	< 2 V
Residual current	< 70 µA
Ambient temperature range	-25...70 °C
Hysteresis	3...15 %
Repeatability	< 5 %
Switching frequency	600 Hz

**Protection :**

Reverse polarity protection	
Short-circuit protection	
Overload protection	
IEC 61000-4-2 (ESD)	4 kV contact / 8kV air
IEC 61000-4-4 (Burst)	2kV / 5kHz
IEC 61000-4-6 (RF conducted)	3V 150kHz...80MHz
Protection degree	IP67

**Materials :**

Housing	Anodized aluminium
Sensing face	Ceramic

**Status indication :**

Power	Green LED
Output	Yellow LED

**Connection :**

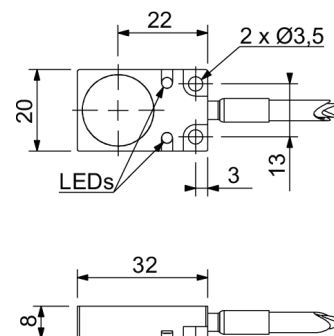
Connector	M12
Cable	PUR, halogen free
Cable length	0,4 m (0/+30 mm)
Cable protection	Aramid fibre (kevlar) braided sleeving

## A1263L04Q320541CK

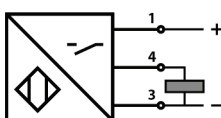
Welding environment  
Q32



**Dimensions :**



**Connection diagram :**



**Pin assignment :**

