

Technical data :

Rated operating distance (Sn)	4 mm
Mounting mode	Flush
Output type	PNP
Function	NO
Operating voltage	10...30V DC
Operating current	100 mA
No-load consumption	< 15 mA
Voltage drop	< 2 V
Residual current	< 70 µA
Ambient temperature range	0...85 °C
Hysteresis	3...15 %
Repeatability	< 5 %
Switching frequency	500 Hz

Protection :

Reverse polarity protection	
Short-circuit protection	
Overload protection	
IEC 61000-4-2 (ESD)	4 kV contact / 8kV air
IEC 61000-4-4 (Burst)	2kV / 5kHz
IEC 61000-4-6 (RF conducted)	3V 150kHz...80MHz
Protection degree	IP67

Materials :

Housing	Anodized aluminium
Connector	Brass, nickel-plated
Sensing face	Ceramic

Status indication :

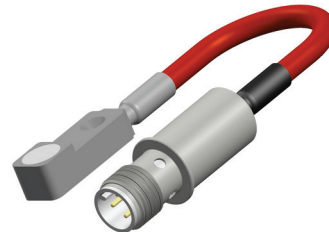
Power / Output	Green LED / Yellow LED
----------------	------------------------

Connection :

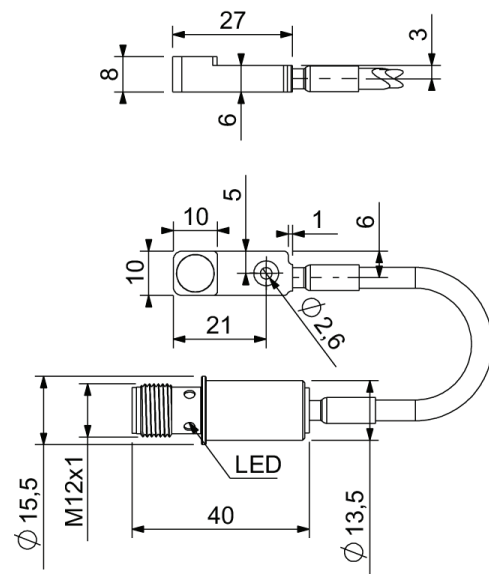
Connector	M12
Cable	Halogen free PUR (2 x 0,34 mm ²)
Cable length	0,2 m (0/+10 mm)
Cable protection	Silicone-coated fiberglass braided sleeving

A1263L02Q270441CR

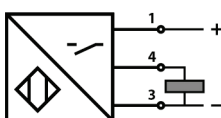
Welding environment
Q27



Dimensions :



Connection diagram :



Pin assignment :

