

**Technical data :**

Rated operating distance (Sn)	4 mm
Mounting mode	Flush
Output type	PNP
Function	NO
Operating voltage	10...30V DC
Operating current	100 mA
No-load consumption	< 10 mA
Voltage drop	< 2 V
Residual current	< 70 $\mu$ A
Ambient temperature range	0...85 $^{\circ}$ C
Hysteresis	3...15 %
Repeatability	< 5 %
Switching frequency	500 Hz

**Protection :**

Reverse polarity protection	
Short-circuit protection	
Overload protection	
IEC 61000-4-2 (ESD)	4 kV contact / 8kV air
IEC 61000-4-4 (Burst)	2kV / 5kHz
IEC 61000-4-6 (RF conducted)	3V 150kHz...80MHz
Protection degree	IP67

**Materials :**

Housing	Anodized aluminium
Sensing face	Ceramic

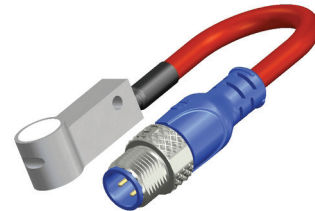
**Connection :**

Connector	M12
Cable	PUR, halogen free
Cable length	0,2 m (0/+2 cm)
Cable protection	Silicone-coated fiberglass braided sleeving

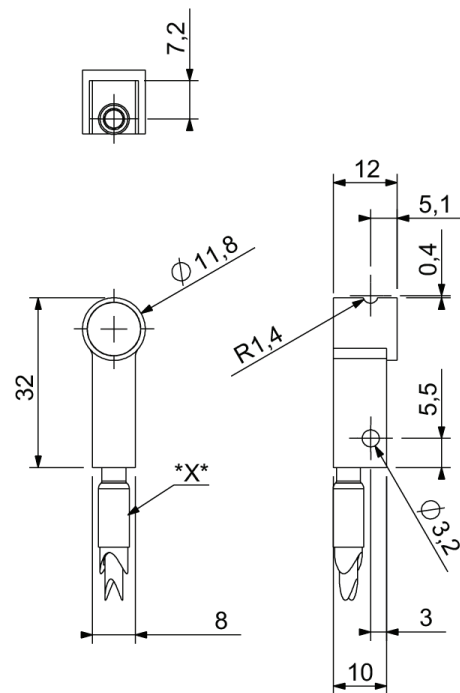
\*X\* : Cable sleeve (UL94-V0)

## A1263L02C120441CS

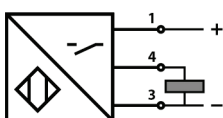
C12



**Dimensions :**



**Connection diagram :**



**Pin assignment :**

