

**Technical data :**

Rated operating distance (Sn)	3 mm
Mounting mode	Flush
Output type	PNP
Function	NO
Operating voltage	10...30V DC
Operating current	100 mA
No-load consumption	< 15 mA
Voltage drop	< 2 V
Residual current	< 70 $\mu$ A
Ambient temperature range	0...85 °C
Hysteresis	2...15 %
Repeatability	< 5 %
Switching frequency	250 Hz

**Protection :**

Reverse polarity protection	
Short-circuit protection	
Overload protection	
IEC 61000-4-2 (ESD)	4kV Contact / 8kV Air
IEC 61000-4-4 (Burst)	2kV / 5kHz
IEC 61000-4-6 (RF conducted)	3V 150kHz...80MHz
Protection degree	IP67

**Materials :**

Housing	Anodized aluminium
Connector	Brass, nickel-plated
Sensing face	PA

**Status indication :**

Output	Yellow LED
--------	------------

**Connection :**

Connector	M8
Cable	PUR, halogen free
Cable length	1 m (0/+30 mm)

**Accessories (included) :**

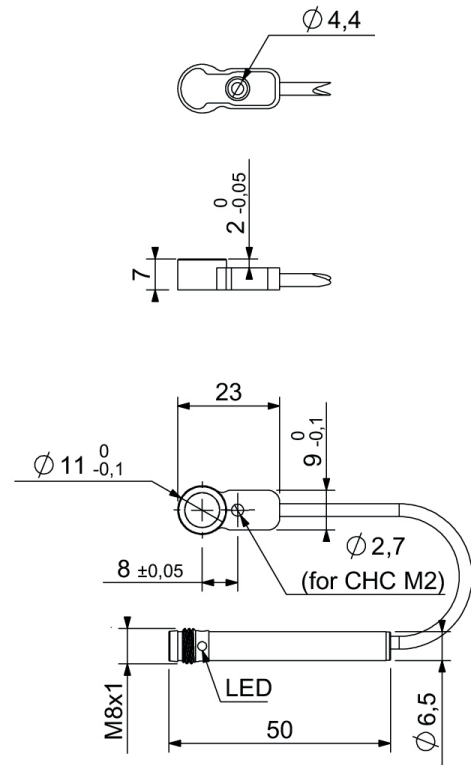
1 stainless steel screw CHC M2-6mm (DIN912 ISO4762)

## A1263K10Q230341PX

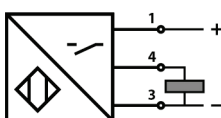
Q23



**Dimensions :**



**Connection diagram :**



**Pin assignment :**

