

Technical data :

| | |
|-------------------------------|-------------|
| Rated operating distance (Sn) | 5 mm |
| Mounting mode | Flush |
| Output type | PNP |
| Function | NO |
| Operating voltage | 10...30V DC |
| Operating current | 200 mA |
| No-load consumption | < 12 mA |
| Voltage drop | < 2 V |
| Residual current | < 70 µA |
| Ambient temperature range | -25...70 °C |
| Hysteresis | 3...15 % |
| Repeatability | < 5 % |
| Switching frequency | 200 Hz |

Protection :

| | |
|------------------------------|------------------------|
| Reverse polarity protection | |
| Short-circuit protection | |
| Overload protection | |
| IEC 61000-4-2 (ESD) | 4 kV contact / 8kV air |
| IEC 61000-4-4 (Burst) | 2kV / 5kHz |
| IEC 61000-4-6 (RF conducted) | 3V 150kHz...80MHz |
| Protection degree | IP67 |

Materials :

| | |
|--------------|------------------------------|
| Housing | Stainless steel, PTFE coated |
| Sensing face | Stainless steel, PTFE coated |

Status indication :

| | |
|--------|------------|
| Output | Yellow LED |
|--------|------------|

Connection :

| | |
|-----------|-----|
| Connector | M12 |
|-----------|-----|

Accessories (included) :

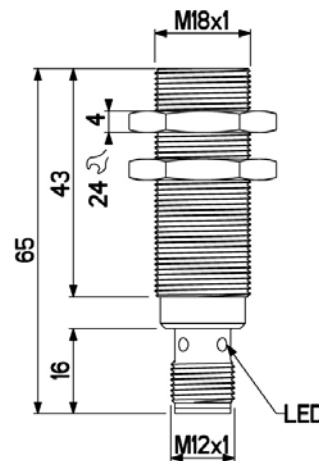
2 PTFE coated brass fixing nuts

A1263F00M180591W

M18



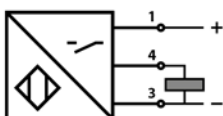
Dimensions :



Correction factor :

| Matériau détecté Detected material | Facteur de correction Correction factor |
|--|--|
| Acier / Steel (18 x 18 x 1 mm) | 1,00 |
| Laiton / Brass (18 x 18 x 1 mm) | 0,00 |
| Cuivre / Copper (18 x 18 x 1 mm) | 0,00 |
| Cuivre / Copper (18 x 18 x 0,1 mm) | 0,40 |
| Aluminium / Aluminium (18 x 18 x 1 mm) | 0,00 |
| Aluminium / Aluminium (18 x 18 x 0,1 mm) | 0,40 |

Connection diagram :



Pin assignment :

