

Technical data :

Rated operating distance (Sn)	4 mm
Mounting mode	Flush (*)
(*) As shown in the mechanical view enclosed	
Output type	PNP
Function	NO
Operating voltage	10...30 V DC
Operating current	200 mA
Non-Load consumption	< 15 mA
Voltage drop	< 2 V
Residual current	< 70 µA
Ambient temperature range	0...70 °C
Hysteresis	2...15 %
Repeatability	< 5 %
Switching frequency	10 Hz

Protection :

Reverse polarity protection	
Short-circuit protection	
Overload protection	
IEC 61000-4-2 (ESD)	4kV Contact / 8kV Air
IEC 61000-4-4 (Burst)	2kV / 5kHz
IEC 61000-4-6 (RF conducted)	3V 150kHz...80MHz
Protection degree	IP67

Materials :

Housing	Stainless steel, PTFE coated
Sensing face	Stainless steel, PTFE coated

Status indication :

Output	Yellow LED
--------	------------

Connection :

Connector	M12
-----------	-----

Accessories (included) :

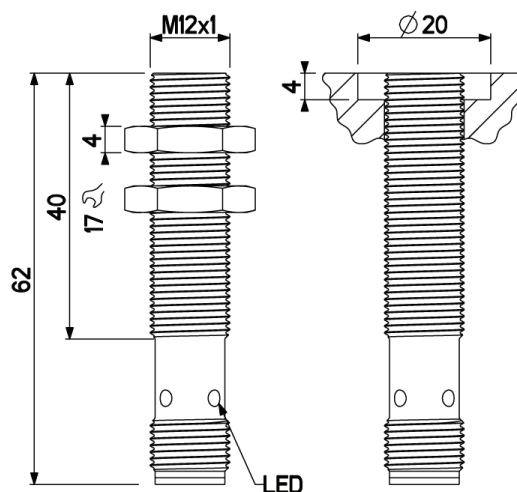
2 PTFE coated brass fixing nuts

A1263F00M120493W

M12



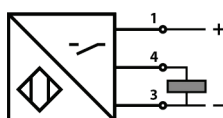
Dimensions :



Correction factor :

Matériau détecté Detected material	Facteur de correction Correction factor
Acier / Steel (12 x 12 x 1 mm)	1,00
Laiton / Brass (12 x 12 x 1 mm)	0,01
Cuivre / Copper (12 x 12 x 1 mm)	0,00
Cuivre / Copper (12 x 12 x 0,1 mm)	0,40
Aluminium / Aluminium (12 x 12 x 1 mm)	0,00
Aluminium / Aluminium (12 x 12 x 0,1 mm)	0,15

Connection diagram :



Pin assignment :

