

Technical data :

Rated operating distance (Sn)	1,5 mm
Mounting mode	Flush
Output type	PNP
Function	NO
Operating voltage	10...55V DC
Operating current	150 mA
No-load consumption	< 7 mA
Voltage drop	< 2,5 V
Residual current	< 70 µA
Ambient temperature range	-25...70 °C
Hysteresis	3...15 %
Repeatability	< 5 %
Switching frequency	300 Hz
Maximum recommended tightening torque	10 N.m

Protection :

Reverse polarity protection	
Short-circuit protection	
Overload protection	
IEC 61000-4-2 (ESD)	4 kV contact / 8kV air
IEC 61000-4-4 (Burst)	2kV / 5kHz
IEC 61000-4-6 (RF conducted)	3V 150kHz...80MHz
Protection degree	IP67

Materials :

Housing	Brass, nickel-plated
Sensing face	PA

Status indication :

Output	Yellow LED
--------	------------

Connection :

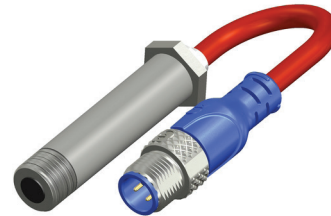
Connector	M12
Cable	PVC
Cable length	0,8 m
Cable protection	Silicone-coated fiberglass braided sleeving

Accessories (not included) :

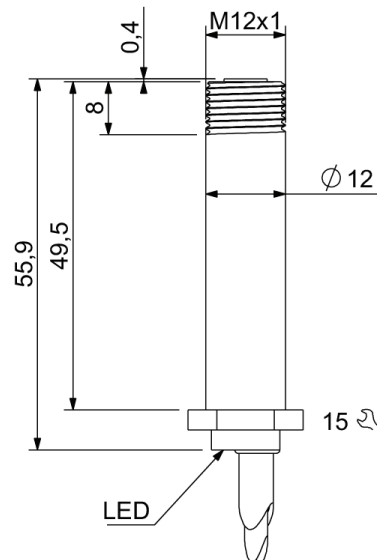
Transmitter (TRSPY)	
---------------------	--

A1263E08L120111PZ

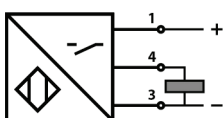
Welding environment
IPS for Poka-Yoke



Dimensions :



Connection diagram :



Pin assignment :

