

Technical data :

Rated operating distance (Sn)	15 mm
Mounting mode	Flush (*)
(*) As shown in the details view enclosed	
Output type	PNP
Function	NO
Operating voltage	10...30V DC
Operating current	100 mA
Non-Load consumption	< 10 mA
Voltage drop	< 2 V
Residual current	< 70 µA
Ambient temperature range	-25...70 °C
Hysteresis	2...15 %
Repeatability	< 5 %
Switching frequency	100 Hz

Protection :

Reverse polarity protection	
Short-circuit protection	
Overload protection	
IEC 61000-4-2 (ESD)	4kV Contact / 8kV Air
IEC 61000-4-4 (Burst)	2kV / 5kHz
IEC 61000-4-6 (RF conducted)	3V 150kHz...80MHz
Class II insulation	
Protection degree	IP67

Materials :

Housing	Brass white bronze coated
Sensing face	PA

Status indication :

Output	Yellow LED
--------	------------

Connection :

Connector	M12
Cable	PUR
Cable length	0,3 m (0/+20 mm)

Accessories (included) :

- 2 Brass white bronze coated fixing nuts
- 1 Stainless steel toothed locked washer

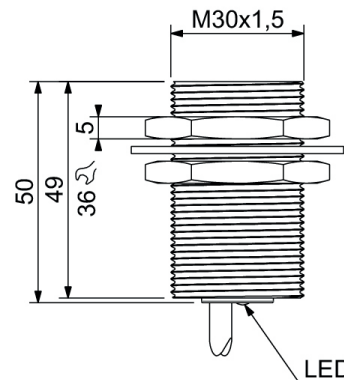
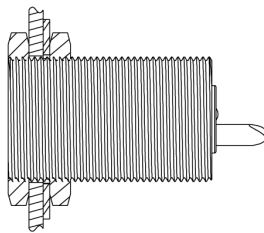
A1263E03M301511PU

M30

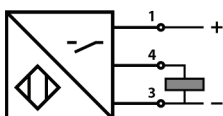


Dimensions :

Details view (mounting mode) :



Connection diagram :



Pin assignment :

