

**Technical data :**

Rated operating distance (Sn)	15 mm
Mounting mode	Flush
Output type	PNP
Function	NO
Operating voltage	10...30V DC
Operating current	200 mA
Non-Load consumption	< 15 mA
Voltage drop	< 2 V
Residual current	< 70 µA
Ambient temperature range	0...85 °C (UL: 80°C max)
Hysteresis	1...15 %
Repeatability	< 5 %
Switching frequency	100 Hz

**Protection :**

Reverse polarity protection	
Short-circuit protection	
Overload protection	
IEC 61000-4-2 (ESD)	4kV Contact / 8kV Air
IEC 61000-4-4 (Burst)	2kV / 5kHz
IEC 61000-4-6 (RF conducted)	3V 150kHz...80MHz
Magnetic field immunity	300 mT (AC/DC)
Class II insulation	
Protection degree	IP67

**Materials :**

Housing	Brass, PTFE coated
Sensing face	PTFE

**Status indication :**

Power	Green LED
Output	Yellow LED

**Connection :**

Connector	M12
-----------	-----

**Accessories (included) :**

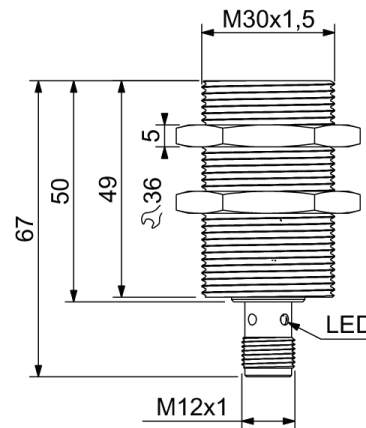
2 PTFE coated brass fixing nuts

## A1263E00M301554TDU

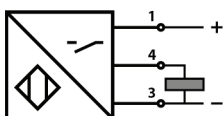
Factor 1 series increased range  
M30



**Dimensions :**



**Connection diagram :**



**Pin assignment :**

