

**Technical data :**

|                               |                     |
|-------------------------------|---------------------|
| Rated operating distance (Sn) | 4 mm                |
| Mounting mode                 | Flush               |
| Output type                   | PNP                 |
| Function                      | NO                  |
| Operating voltage             | 10...30V DC         |
| Operating current             | 100 mA              |
| No-load consumption           | < 15 mA             |
| Voltage drop                  | < 2 V               |
| Residual current              | < 70 $\mu$ A        |
| Ambient temperature range     | 0...85 $^{\circ}$ C |
| Hysteresis                    | 3...15 %            |
| Repeatability                 | < 5 %               |
| Switching frequency           | 500 Hz              |

**Protection :**

|                              |                       |
|------------------------------|-----------------------|
| Reverse polarity protection  |                       |
| Short-circuit protection     |                       |
| Overload protection          |                       |
| IEC 61000-4-2 (ESD)          | 4kV Contact / 8kV Air |
| IEC 61000-4-4 (Burst)        | 2kV / 5kHz            |
| IEC 61000-4-6 (RF conducted) | 3V 150kHz...80MHz     |
| Magnetic field immunity      | 250 mT (AC/DC)        |
| Class II insulation          |                       |
| Protection degree            | IP67                  |

**Materials :**

|              |                    |
|--------------|--------------------|
| Housing      | Brass, PTFE coated |
| Sensing face | Ceramic            |

**Status indication :**

|        |            |
|--------|------------|
| Power  | Green LED  |
| Output | Yellow LED |

**Connection :**

|           |     |
|-----------|-----|
| Connector | M12 |
|-----------|-----|

**Accessories (included) :**

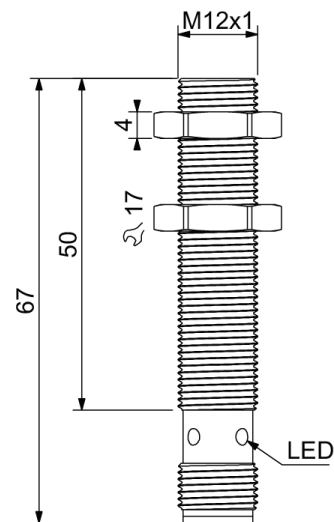
2 PTFE coated brass fixing nuts

## A1263E00M120454C

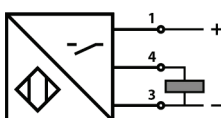
Factor 1 Series  
M12



**Dimensions :**



**Connection diagram :**



**Pin assignment :**

