

**Technical data :**

Rated operating distance (Sn)	10 mm
Mounting mode	Flush (*)
(*) As shown in diagram enclosed	
Output type	PNP
Function	NO
Operating voltage	10...30V DC
Operating current	200 mA
Non-Load consumption	< 15 mA
Voltage drop	< 2 V
Residual current	< 70 $\mu$ A
Ambient temperature range	0...85 °C
Hysteresis	3...15 %
Repeatability	< 5 %
Switching frequency	250 Hz

**Protection :**

Reverse polarity protection	
Short-circuit protection	
Overload protection	
IEC 61000-4-2 (ESD)	4kV Contact / 8kV Air
IEC 61000-4-4 (Burst)	2kV / 5kHz
IEC 61000-4-6 (RF conducted)	3V 150kHz...80MHz
Magnetic field immunity	165 mT (AC/DC)
Protection degree	IP67

**Materials :**

Housing	Brass, ZnFe coated
Sensing face	Ceramic + PTFE

**Status indication :**

Power	Green LED
Output	Yellow LED

**Connection :**

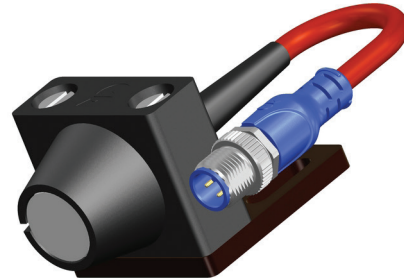
Connector	M12
Cable	PUR, halogen free
Cable length	0,2 m (0/+20 mm)
Cable protection	Silicone-coated fiberglass braided sleeving

**Accessories (included) :**

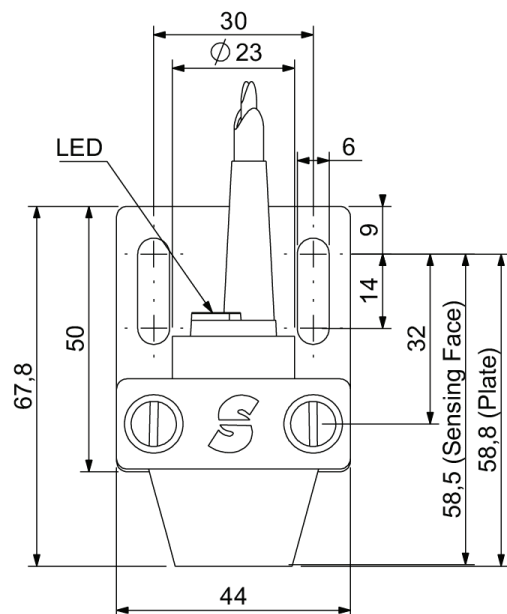
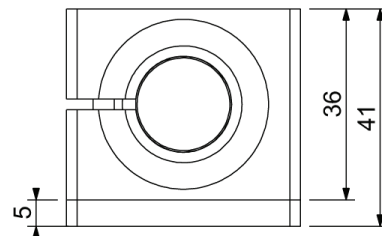
Clamp (SDPL18/PL)

## A1263D02L181056CSPB

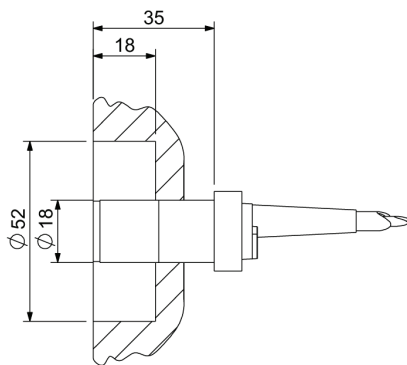
Factor 1 Series  
L18



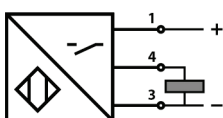
**Dimensions :**



**Details view (mounting mode) :**



**Connection diagram :**



**Pin assignment :**

