

Technical data :

Rated operating distance (Sn)	10 mm
Mounting mode	Quasi-Flush (*)
(*) Quasi-Flush mountable as shown in diagram enclosed	
Output type	PNP
Function	NO
Operating voltage	10...30V DC
Operating current	200 mA
No-load consumption	< 15 mA
Voltage drop	< 2 V
Residual current	< 70 µA
Ambient temperature range	0...85 °C
Hysteresis	3...15 %
Repeatability	< 5 %
Switching frequency	250 Hz

Protection :

Reverse polarity protection	
Short-circuit protection	
Overload protection	
IEC 61000-4-2 (ESD)	4kV Contact / 8kV Air
IEC 61000-4-4 (Burst)	2kV / 5kHz
IEC 61000-4-6 (RF conducted)	3V 150kHz...80MHz
Magnetic field immunity	165 mT (AC/DC)
Protection degree	IP67

Materials :

Housing	Brass, ZnFe coated
Sensing face	Ceramic + PTFE

Status indication :

Power	Green LED
Output	Yellow LED

Connection :

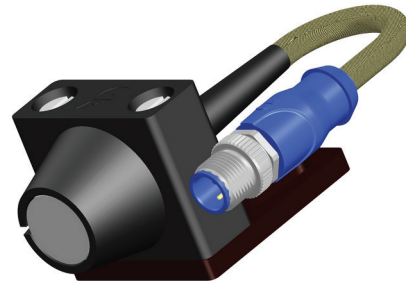
Connector	M12
Cable	PUR
Cable length	0,15 m (0/+20 mm)
Cable protection	Aramid fibre (kevlar) braided sleeving

Accessories (included) :

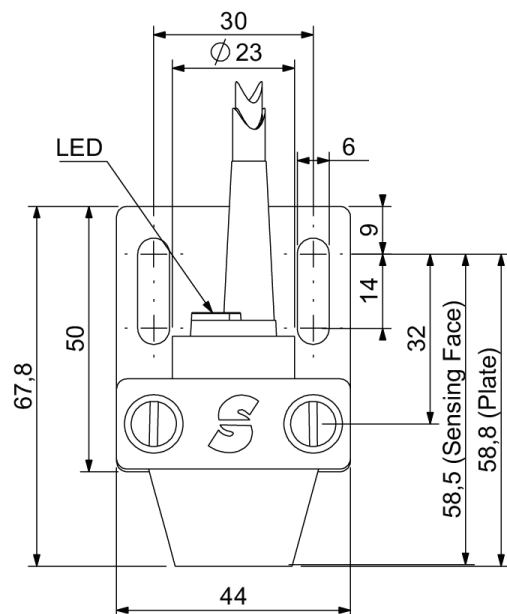
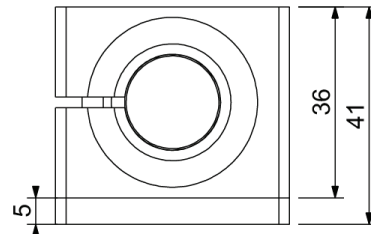
Clamp (SDPL18/PL)

A1263D01L181056CKPB

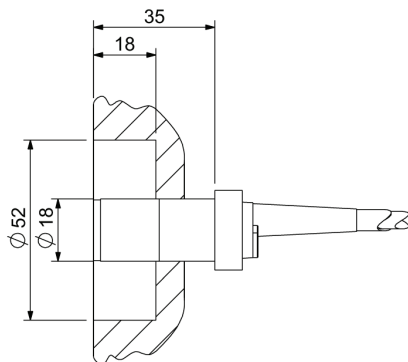
Factor 1 Series
L18



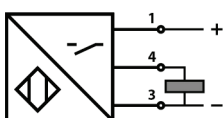
Dimensions :



Details view (mounting mode) :



Connection diagram :



Pin assignment :

