

Technical data :

Rated operating distance (Sn)	4 mm
Mounting mode	Flush
Output type	PNP
Function	NO
Operating voltage	10...30V DC
Operating current	100 mA
No-load consumption	< 15 mA
Voltage drop	< 2 V
Residual current	< 70 μ A
Ambient temperature range	0...85 °C
Hysteresis	3...15 %
Repeatability	< 5 %
Switching frequency	500 Hz

Protection :

Reverse polarity protection	
Short-circuit protection	
Overload protection	
IEC 61000-4-2 (ESD)	4kV Contact / 8kV Air
IEC 61000-4-4 (Burst)	2kV / 5kHz
IEC 61000-4-6 (RF conducted)	3V 150kHz...80MHz
Magnetic field immunity	250 mT (AC/DC)
Class II insulation	
Protection degree	IP67

Materials :

Housing	Brass, PTFE coated
Sensing face	PTFE

Status indication :

Power	Green LED
Output	Yellow LED

Connection :

Connector	M12
-----------	-----

Accessories (included) :

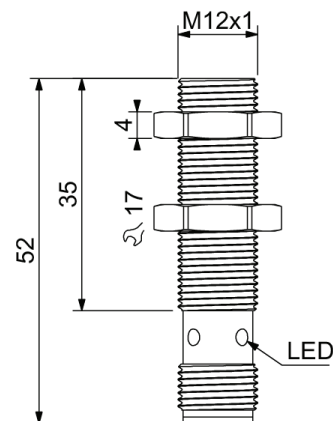
2 PTFE coated brass fixing nuts

A1263D00M120454T

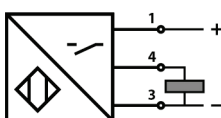
Factor 1 Series
M12



Dimensions :



Connection diagram :



Pin assignment :

