

Technical data :

Rated operating distance (Sn)	40 mm
Mounting mode	Flush
Output type	PNP
Function	NO
Operating voltage	10...30V DC
Operating current	200 mA
No-load consumption	< 10 mA
Voltage drop	< 2 V
Residual current	< 70 μ A
Ambient temperature range	-25...70 °C
Hysteresis	3...15 %
Repeatability	< 5 %
Switching frequency	10 Hz

Protection :

Reverse polarity protection	
Short-circuit protection	
Overload protection	
IEC 61000-4-2 (ESD)	4 kV contact / 8kV air
IEC 61000-4-4 (Burst)	2kV / 5kHz
IEC 61000-4-6 (RF conducted)	3V 150kHz...80MHz
Protection degree	IP67

Materials :

Housing	PA
Connector	Brass, nickel-plated
Sensing face	PA

Status indication :

Power	Green LED
Output	Yellow LED

Connection :

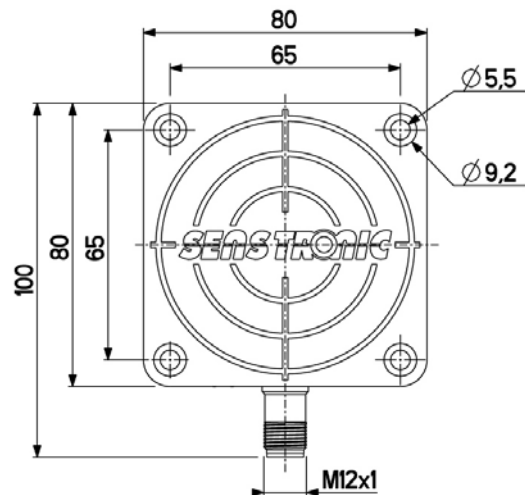
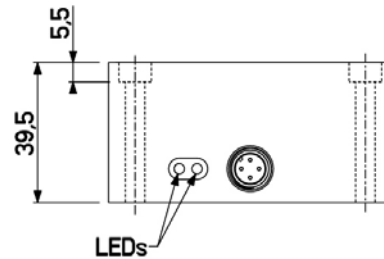
Connector	M12
-----------	-----

A1263C1Q804021

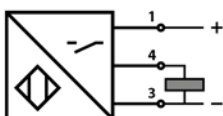
Q80



Dimensions :



Connection diagram :



Pin assignment :

